

# Polaris® PB4-60

## Pressure Cleaner Booster Pump Installation and Operation Manual



For Polaris PB4-60 Booster Pumps with Serial Numbers beginning with "PB" and a manufacturing date on or after Dec 1, 2011.

### WARNING

**FOR YOUR SAFETY** - This product must be installed and serviced by a contractor who is licensed and qualified in pool equipment by the jurisdiction in which the product will be installed, where such state or local requirements exist. In the event no such state or local requirement exists, the maintainer must be a professional with sufficient experience in pool equipment installation and maintenance, so that all of the instructions in this manual can be followed exactly. Improper installation and/or operation can create dangerous electrical hazards, which can cause high voltages to run through the electrical system. Before installing this product, read and follow all warning notices and instructions that accompany this product. Failure to follow warning notices and instructions may result in property damage, personal injury, or death. Improper installation and/or operation will void the warranty.

If these instructions are not followed exactly, a fire or explosion may result, causing property damage, personal injury, or death.



**ATTENTION INSTALLER:** This manual contains important information about the installation, operation and safe use of this product. This information should be given to the owner/operator of this equipment.



# Table of Contents

<b>Section 1. IMPORTANT SAFETY INSTRUCTIONS</b> .....	<b>4</b>	<b>Section 4. Operation</b> .....	<b>11</b>
1.1 Safety Instructions .....	4	4.1 Start-up .....	11
1.2 Pool Pump Suction Entrapment Prevention Guidelines .....	6	<b>Section 5. Maintenance</b> .....	<b>12</b>
<b>Section 2. General Description</b> .....	<b>7</b>	5.1 Winterizing the Pump.....	12
2.1 Introduction .....	7	<b>Section 6. Troubleshooting and Repair</b> .....	<b>13</b>
2.2 Description .....	7	6.1 Troubleshooting .....	13
2.3 Preparation .....	7	6.2 Service Technician Maintenance .....	14
<b>Section 3. Installation</b> .....	<b>7</b>	6.2.1 Blocked Impeller .....	14
3.1 Electrical Installation .....	7	6.2.2 Impeller Removal.....	14
3.1.1 Voltage Checks .....	7	6.2.3 Impeller Replacement.....	15
3.1.2 Bonding and Grounding.....	7	6.2.4 Mechanical Seal Replacement .....	15
3.2 Electrical .....	7	6.2.5 Motor Replacement .....	16
3.2.1 Electrical Wiring .....	7	<b>Section 7. Product Specifications and Technical Data</b> .....	<b>17</b>
3.3 Plumbing.....	8	7.1 Replacement Parts List.....	17
3.3.1 Requirements .....	8	7.2 Polaris PB4-60 Booster Pump Exploded View .	17
3.3.2 Pipe Sizing.....	9	7.3 Pump Dimensions.....	18
3.3.3 Pump Location.....	9	7.4 Visual Identification of the New Polaris PB4-60 Booster Pump .....	19
3.3.4 Install the Pump.....	10		
3.3.5 Installation Recommendations .....	10		
3.3.6 Check the Water Flow .....	10		
3.3.7 Conduct Pressure Test .....	11		

## EQUIPMENT INFORMATION RECORD

DATE OF INSTALLATION \_\_\_\_\_

INSTALLER INFORMATION \_\_\_\_\_

INITIAL PRESSURE GAUGE READING (WITH CLEAN FILTER) \_\_\_\_\_

PUMP MODEL \_\_\_\_\_

HORSEPOWER \_\_\_\_\_

NOTES: \_\_\_\_\_

\_\_\_\_\_

\_\_\_\_\_

# Section 1. IMPORTANT SAFETY INSTRUCTIONS

## READ AND FOLLOW ALL INSTRUCTIONS

### 1.1 Safety Instructions

All electrical work must be performed by a licensed electrician and conform to all national, state, and local codes. When installing and using this electrical equipment, basic safety precautions should always be followed, including the following:

#### **WARNING**

To reduce the risk of injury, do not permit children to use this product.

#### **WARNING**

To reduce the risk of property damage or injury, do not attempt to change the backwash (multiport, slide, or full flow) valve position with the pump running.

#### **WARNING**

Zodiac® pumps are powered by a high voltage electric motor and must be installed by a licensed or certified electrician or a qualified swimming pool service technician.

#### **WARNING**

**RISK OF ELECTRIC SHOCK, FIRE, PERSONAL INJURY, OR DEATH.** Connect only to a branch circuit that is protected by a ground-fault circuit-interrupter (GFCI). Contact a qualified electrician if you cannot verify that the circuit is protected by a GFCI. Make sure such a GFCI should be provided by the installer and should be tested on a routine basis. To test the GFCI, push the test button. The GFCI should interrupt power. Push the reset button. Power should be restored. If the GFCI fails to operate in this manner, the GFCI is defective. If the GFCI interrupts power to the pump without the test button being pushed, a ground current is flowing, indicating the possibility of electrical shock. Do not use the pump. Disconnect the pump and have the problem corrected by a qualified service representative before using.

Due to the potential risk of fire, electric shock, or injuries to persons, Zodiac Pumps must be installed in accordance with the National Electric Code (NEC®), all local electrical and safety codes, and the Occupational Safety and Health Act (OSHA®). Copies of the NEC may be ordered from the National Fire Protection Association (NFPA®) online at [www.nfpa.org](http://www.nfpa.org) or call 617-770-3000, or contact your local government inspection agency.

#### **WARNING**

Incorrectly installed equipment may fail, causing severe injury or property damage.

#### **WARNING**

- Do not connect the system to an unregulated city water system or other external source of pressurized water producing pressures greater than 35 PSI.
- Trapped air in system can cause the filter lid to be blown off, which can result in death, serious personal injury, or property damage. Be sure all air is out of the system before operating.

## WARNING

To minimize the risk of severe injury or death the filter and/or pump should not be subjected to the piping system pressurization test.

Local codes may require the pool piping system to be subjected to a pressure test. These requirements are generally not intended to apply to the pool equipment such as filters or pumps.

Zodiac® pool equipment is pressure tested at the factory.

However, if the WARNING cannot be followed and pressure testing of the piping system must include the filter and/or pump, BE SURE TO COMPLY WITH THE FOLLOWING SAFETY INSTRUCTIONS:

- Check all clamps, bolts, lids, lock rings and system accessories to ensure they are properly installed and secured before testing.
- RELEASE ALL AIR in the system before testing.
- Water pressure for test must NOT EXCEED 35 PSI.
- Water temperature for test must NOT EXCEED 100°F (38°C).
- Limit test to 24 hours. After test, visually check system to be sure it is ready for operation.

NOTICE: These parameters apply to Zodiac equipment only. For non-Zodiac equipment, consult equipment manufacturer.

## WARNING

Chemical spills and fumes can weaken pool/spa equipment. Corrosion can cause filters and other equipment to fail, resulting in severe injury or property damage. Do not store pool chemicals near your equipment.

## CAUTION

Do not start pump dry! Running the pump dry for any length of time will cause severe damage and will void the warranty.

## CAUTION

This pump is for use with permanently installed pools and may also be used with hot tubs and spas if so marked. Do not use with storable pools. A permanently installed pool is constructed in or on the ground or in a building such that it cannot be readily disassembled for storage. A storable pool is constructed so that it may be readily disassembled for storage and reassembled to its original integrity.

## CAUTION

Do not install within an outdoor enclosure or beneath the skirt of a hot tub or portable spa. The pump requires adequate ventilation to maintain air temperature at less than the maximum ambient temperature rating listed on the motor rating plate.

**SAVE THESE INSTRUCTIONS**

## 1.2 Pool Pump Suction Entrapment Prevention Guidelines

### ⚠ WARNING

**Pump suction is hazardous and can trap and drown or disembowel bathers. Do not use or operate swimming pools, spa, or hot tubs if a suction outlet cover is missing, broken, or loose.** The following guidelines provide information for pump installation that minimizes the risk of injury to users of pools, spas, and hot tubs:

**Entrapment Protection** - The pump suction system must provide protection against the hazards of suction entrapment.

**Suction Outlet Covers** - All suction outlets must have correctly installed, screw-fastened covers in place. All suction outlet (drain) covers must be maintained. Drain covers must be listed/certified to the latest version of ANSI®/ASME® A112.19.8. They must be replaced if cracked, broken, or missing.

**Number of Suction Outlets Per Pump** - Provide at least two (2) hydraulically-balanced main drains, with covers, as suction outlets for each circulating pump suction line. The centers of the main drains (suction outlets) on any one (1) suction line must be at least three (3) feet apart, center to center. See Figure 1.

The system **must** be built to include at least two (2) suction outlets (drains) connected to the pump whenever the pump is running. However, if two (2) main drains run into a single suction line, the single suction line may be equipped with a valve that will shut off both main drains from the pump. The system shall be constructed such that it shall not allow for separate or independent shutoff or isolation of each drain. See Figure 1.

More than one (1) pump can be connected to a single suction line as long as the requirements above are met.

**Water Velocity** - The maximum water velocity through the suction fitting or cover for any suction outlet must be 1.5 feet per second unless the outlet complies with the latest version of ANSI/ASME A112.19.8, the standard for Suction Fittings For Use in Swimming Pools, Wading Pools, Spas, and Hot Tubs. In any case, do not exceed the suction fitting's maximum designed flow rate.

If 100% of the pump's flow comes from the main drain system, the maximum water velocity in the pump suction hydraulic system must be six (6) feet per second or less, even if one (1) main drain (suction outlet) is completely blocked. The flow through the remaining main drain(s) must comply with the latest version of ANSI/ASME A112.19.8, the standard for Suction Fittings For Use in Swimming Pools, Wading Pools, Spas, and Hot Tubs.

**Testing and Certification** - Suction outlet covers must have been tested by a nationally recognized testing laboratory and found to comply with the latest version of ANSI/ASME A112.19.8, the standard for Suction Fittings For Use in Swimming Pools, Wading Pools, Spas, and Hot Tubs.

**Fittings** - Fittings restrict flow; for best efficiency use fewest possible fittings (but at least two (2) suction outlets). Avoid fittings which could cause an air trap.

Pool cleaner suction fittings must conform to applicable International Association of Plumbing and Mechanical Officials (IAPMO®) standards.

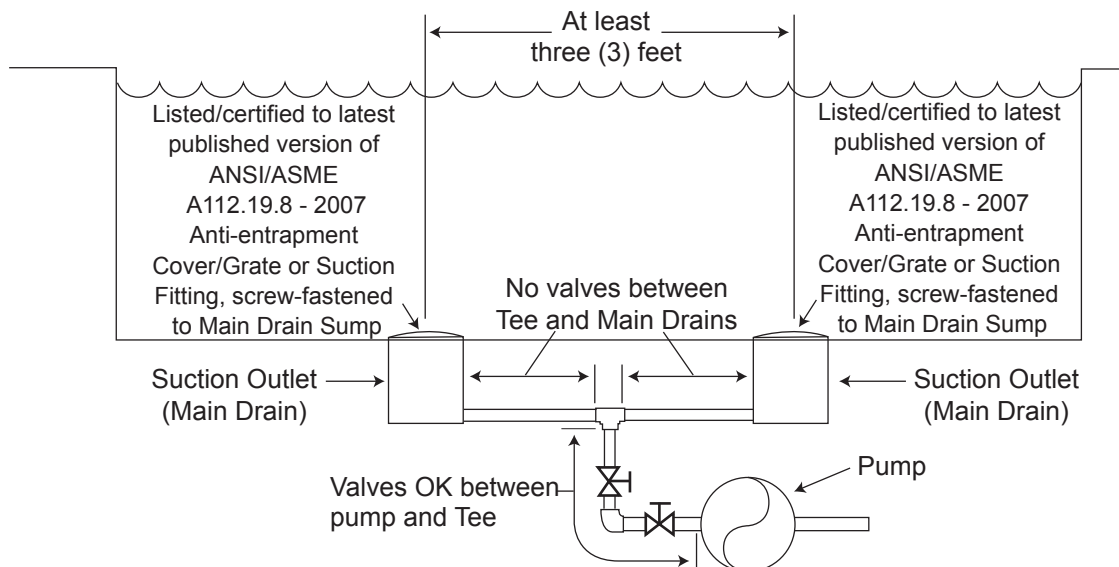


Figure 1. Number of Suction Outlets Per Pump

## Section 2. General Description

### 2.1 Introduction

This manual contains information for the proper installation, operation and maintenance of the Polaris PB4-60 pump. Procedures in this manual must be followed exactly. To obtain additional copies of this manual contact Zodiac Pool Systems, Inc. ("Zodiac") at 800.822.7933. For address information, see the back cover of this manual.

### 2.2 Description

The Polaris booster pump, PB4-60, supplies high pressure water to the Polaris pool cleaner to optimize cleaner efficiency. The pump is not self-priming and should only be used when the pool filtration pump is on.

#### CAUTION

Running the booster pump without a filtration pump will damage the booster pump. Improper operation of the booster pump will void the warranty.

### 2.3 Preparation

1. Upon receipt of the pump, check the carton for damage. Open the carton and check the pump for concealed damage, such as cracks, dents or a bent base. If damage is found, contact the shipper or distributor where you purchased the pump.
2. Inspect the contents of the carton and verify that all the parts are included. See Section 7.1, Replacement Parts List.

## Section 3. Installation

### 3.1 Electrical Installation

#### 3.1.1 Voltage Checks

The correct voltage, as specified on the pump data plate, is necessary for proper performance and long motor life. Incorrect voltage will decrease the pump's ability to perform and could cause overheating, reduce the motor life, and result in higher electric bills.

It is the responsibility of the electrical installer to provide data plate operating voltage to the pump by ensuring proper circuit sizes and wire sizes for this specific application.

The National Electrical Code (NEC®, NFPA-70®) requires all pool pump circuits be protected with a Ground Fault Circuit-Interrupter (GFCI). Therefore, it is also the responsibility of the electrical installer to ensure that the pump circuit is in compliance with this and all other applicable requirements of the National Electrical Code (NEC) and any other applicable installation codes.

#### CAUTION

Failure to provide data plate voltage (within 10%) during operation will cause the motor to overheat and void the warranty.

#### 3.1.2 Bonding and Grounding

1. The motor frame must be grounded to a reliable grounding point using a solid copper conductor, No. 8 AWG (8.4mm<sup>2</sup>) or larger. In Canada, No. 6 AWG (13.3mm<sup>2</sup>) or larger must be used. If the pump is installed within five 5 feet (1,5 meter) of the inside walls of the swimming pool, spa, or hot tub, the motor frame must be bonded to all metal parts of the swimming pool, spa, or hot tub structure and to all electrical equipment, metal conduit, and metal piping within five (5) feet (1,5 meter) of the inside walls of the swimming pool, spa, or hot tub.
2. Bond the motor using the provided external lug.

#### ⚠ WARNING

To avoid the risk of property damage, severe personal injury, and/or death, always disconnect the power source before working on a motor or its connected load.

#### ⚠ WARNING

To avoid the risk of property damage, severe personal injury, and/or death, make sure that the control switch or time clock is installed in an accessible location so that in the event of an equipment failure or a loose plumbing fitting the equipment can be turned off. This location must not be in the same area as the pool pump, filter, and other equipment.

#### CAUTION

The pump must be permanently connected to a dedicated electrical circuit. No other equipment, lights, appliances or outlets may be connected to the pump circuit, with the exception of devices that may be required to operate simultaneously with the pump, such as a chlorinating device or heater.

### 3.2 Electrical

#### 3.2.1 Electrical Wiring

1. The pump motor must be securely and adequately grounded using the green screw provided. Ground before attempting to connect to an electrical power supply. **Do not ground to a gas supply line.**
2. Wire size must be adequate to minimize voltage drop during the start-up and operation of the pump. See Table 1 for wire sizes.

Table 1. Maximum Wire Size and Overcurrent Protection

MAXIMUM WIRE SIZE AND MAXIMUM OVERCURRENT PROTECTION*								
Distance from Sub-Panel			0-50 feet (15 meters)		50-100 feet (15-30 meters)		100-200 feet (30-60 meters)	
Pump Model	Branch Fuse AMPs Class: CC, G, H, J, K, RK, or T		Voltage		Voltage		Voltage	
	230 VAC	115 VAC	208-230 VAC	115 VAC	208-230 VAC	115 VAC	208-230 VAC	115 VAC
PB4-60	15A	20A	14 AWG (2.1mm <sup>2</sup> )	12 AWG (3.3mm <sup>2</sup> )	12 AWG (3.3mm <sup>2</sup> )	10 AWG (5.3mm <sup>2</sup> )	10 AWG (5.3mm <sup>2</sup> )	10 AWG (5.3mm <sup>2</sup> )

\*Assumes three (3) copper conductors in a buried conduit and 3% maximum voltage loss in branch circuit. All National Electrical Code (NEC®) and local codes must be followed. Table shows minimum wire size and branch fuse recommendations for a typical installation per NEC.

- Insulate all connections carefully to prevent grounding or short-circuits. Sharp edges on terminals require extra protection. To prevent wire nuts from loosening, tape them using a suitable, listed (UL, ETL, CSA) electrical insulating tape. For safety, and to prevent entry of contaminants, reinstall all conduit and terminal box covers. **Do not force connections into the conduit box.**
- To configure the internal wiring of the pump motor for the correct voltage, refer to the diagram on the motor data plate.
- The starting current of the booster pump motor may exceed 15 amps on 115 VAC voltage line. It is recommended that a 20 amp service breaker be used for the pump connected to 115 VAC.
- The booster pump motor is factory wired for 230 volts, but can be wired for either 115 or 230 volts. To rewire to 115 volt, follow the instructions on the name plate located on the back of the motor or the sizing plate on the side of the motor.
- A separate time clock (in addition to the filtration system time clock) is recommended to control the On/Off functions of the booster pump. A manual switch can also be used.
- If a time clock is used, set it to turn the pump on at least a half an hour after the pool filtration pump is turned on, and turn the pump off at least half an hour before the filtration pump shuts off. Periodically check the time clock settings to make sure they are properly synchronized.

### 3.3 Plumbing

## CAUTION

Be careful not to overtighten any pipe fitting on the inlet or outlet of the booster pump. Overtightening can cause the housing to crack.

#### 3.3.1 Requirements

The Polaris Booster Pump requires a dedicated return line. Plumb the booster pump into the system so that it always receives flow from the filtration pump.

To ensure proper function of the pump and the cleaner, refer to Figure 2 and adhere to the following guidelines for specific equipment.

- Plumb the dedicated line upstream of all air inducing equipment.
- If a heater is installed on the system, tap the inlet for the booster pump into the return line downstream and at least three (3) feet (1 meter) from the heater discharge. See Figure 2. **Do not tap the booster pump inlet into the three-foot (1 meter) section of heat sink pipe that comes directly out of the heater.**
- Some solar heating systems utilize the entire water flow when the panels are being purged of air. If the pump is installed in a non-flow pipe during solar panel purges, install an automatic override to shut off the pump.

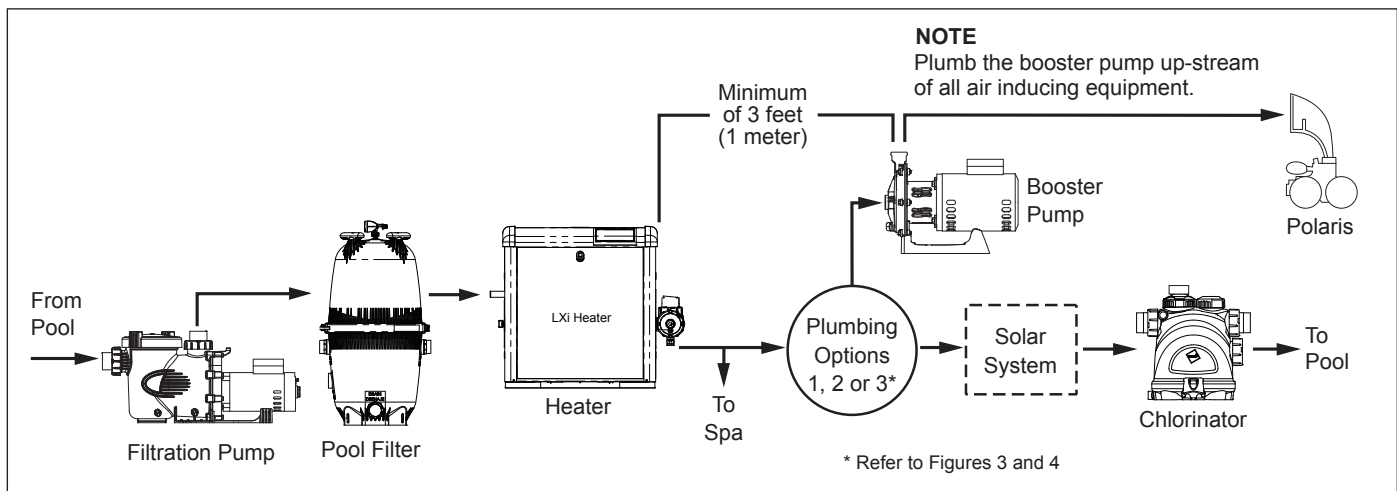


Figure 2. Typical Equipment Layout



- Plumb the booster pump inlet higher, upstream and as far away as possible from a chlorinator.

### 3.3.2 Pipe Sizing

- Use rigid PVC pipe with a minimum diameter of 3/4", 1-1/2" is recommended, for the dedicated return line. Flexible PVC piping is not recommended for the dedicated pool return line underground as it can be damaged by expansion and movement caused by the surge of pump pressure. Refer to Figures 3 and 4.
- The booster pump inlet connection line should be at least 3/4" pipe. **The Softube quick connect is designed to work with the Polaris reinforced hose (part #P19) only.**
- Do not tap into the top of a horizontal line.
- Use 90° street ells to minimize bends and loops in the Polaris reinforced hose.

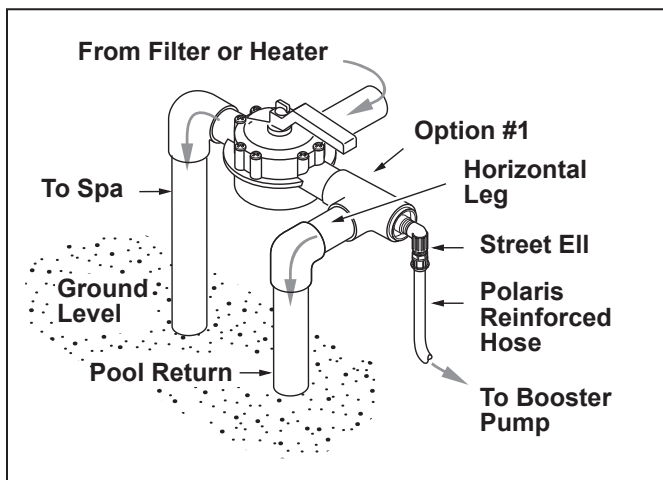


Figure 3. Preferred Plumbing Configuration

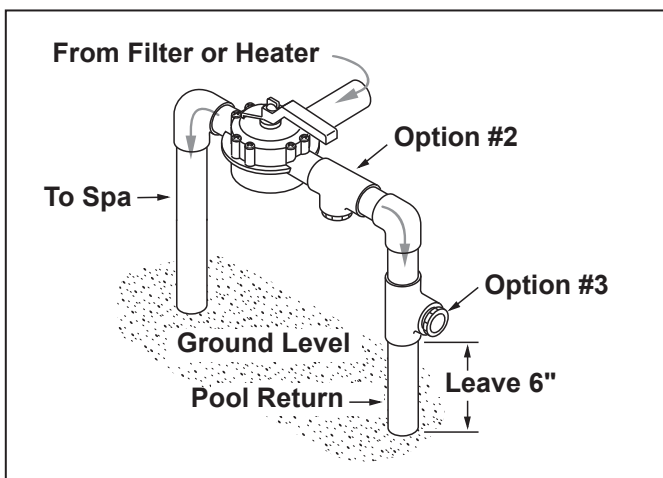


Figure 4. Alternate Plumbing Configuration

### 3.3.3 Pump Location

- Zodiac Pool Systems, Inc. recommends installing the pump within one 1 foot (30 cm) above the water level. The pump should not be elevated more than a few feet above the water level of the pool.
- If the pump is located below water level, isolation valves must be installed on both the suction and return lines to prevent back flow of pool water during any routine or required servicing.

## ⚠ WARNING

Some Safety Vacuum Release System (SVRS) devices are not compatible with installation of check valves. If the pool has an SVRS device, be sure to confirm that it will continue to safely operate when any check valves are installed.

- The pump and other circulation equipment must be located more than 5 feet (1,5 meter) from the water. Choose a location that will minimize turns in the piping.

**NOTE** In Canada, the pump must be located a minimum of 3.0 meters [approximately 10 feet] from the water (CSA C22.1).

- The pump must be placed on a solid foundation that will not vibrate. To further reduce the possibility of vibration noise, bolt the pump to the foundation.

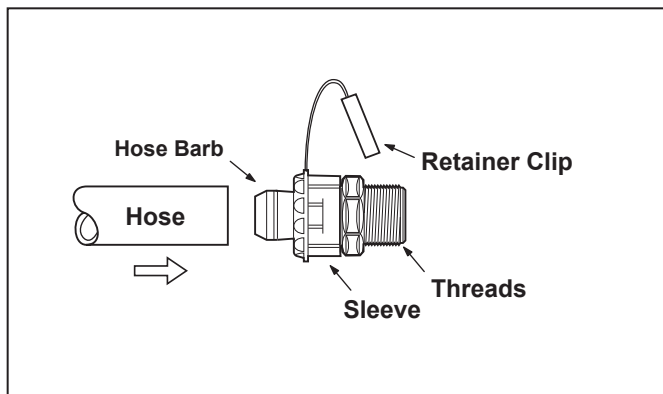
**NOTE** Zodiac recommends bolting the pump directly to the foundation.

- The pump foundation must have adequate drainage to prevent the motor from getting wet. The pump needs to be protected from the rain and sun.
- Proper ventilation is required for the pump to operate normally. All motors generate heat that must be removed by providing proper ventilation.
- Provide access for future service by leaving a clear area around the pump. Allow plenty of space above the pump for servicing.
- If the equipment is under cover, provide adequate lighting.

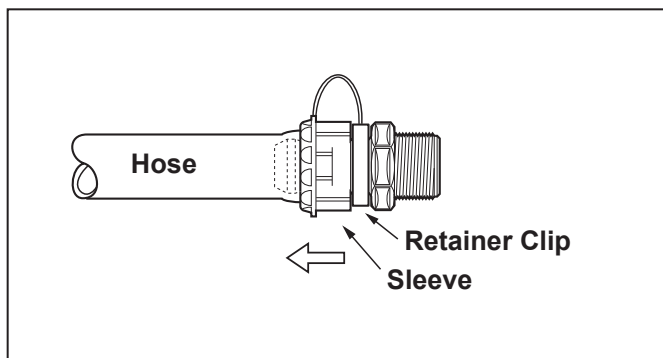
### 3.3.4 Install the Pump

1. Mount the pump using two (2) concrete expansion anchors to ensure stability.
3. Slide the quick connect retainer ring over the Softube quick connect threads. Install quick connects onto pump discharge and supply ports.
4. Measure and cut reinforced hose ensuring cut is clean, with no more than a 30° off straight edge. Avoid unnecessary loops or bends in the hose.
5. Push the hose onto the quick connect until it is flush against the hose barb base. See Figure 5.
6. Holding the hose in place, pull and twist the sleeve on the quick connect over the hose as far as possible. Snap the clip into place. See Figure 6.

**NOTE** The retainer clip must be installed. If the sleeve cannot be positioned on the quick connect to allow the retainer clip to slide in place, see Figure 6. Wet the inside of the hose in clean water and try again.



**Figure 5. Install the Hose onto the Quick Disconnect**



**Figure 6. Install the Retainer Clip**

### 3.3.5 Installation Recommendations

1. If the pump is located below water level, isolation valves must be installed on both sides of the pump to prevent back flow of pool water during any routine or required servicing.
2. To help prevent difficulty in priming, install the suction pipe without high points (above inlet of pump - inverted "U"s in plumbing), which can trap air.
3. The piping must be well supported and not forced together where constant stress will be experienced.
4. Always use properly sized valves. Zodiac® Jandy® diverter valves and Zodiac Jandy ball valves typically have the best flow capabilities.
5. Use the fewest fittings possible. Every additional fitting has the effect of moving the equipment farther away from the water.

**NOTE** If more than 10 suction fittings are needed, the pipe size must be increased.

### 3.3.6 Check the Water Flow

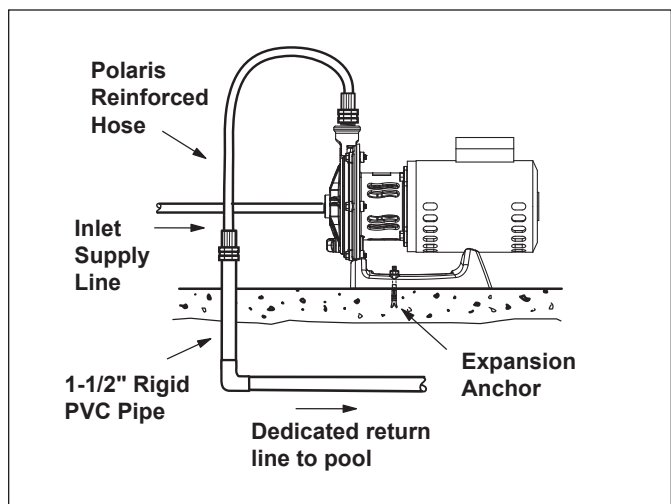
**NOTE** This pump must have minimum outlet pressure of 45 psi. Lower pressure may cause an over-current motor condition.

After the system is plumbed, verify water flow to the booster pump by disconnecting the inlet supply line at the booster pump and then turning on the filtration pump. Water should flow from the line.

If there is no water flow, check the following:

1. Verify that the installation is correct. Refer to Figure 6.
2. Use smaller eyeball fittings in the pool return lines or plug a return line.

Once flow is established, the pump is ready for operation.



**Figure 7. Complete Installation**

### 3.3.7 Conduct Pressure Test

#### **WARNING**

When pressure testing a system with water, air is often trapped in the system during the filling process. This air will compress when the system is pressurized. Should the system fail, this trapped air can propel debris at a high speed and cause injury. Every effort to remove trapped air must be taken, including opening the bleed valve on the filter and loosening the pump basket lid on the filter pump while filling the pump.

#### **WARNING**

Trapped air in system can cause filter lid to be blown off, which can result in death, serious personal injury, or property damage. Be sure all air is properly out of system before operating. **DO NOT USE COMPRESSED AIR TO PRESSURE TEST OR CHECK FOR LEAKS.**

#### **WARNING**

When pressure testing the system with water, it is very important to make sure that the pump basket lid on the filter pump is completely secure.

#### **WARNING**

Do not pressure test above 35 PSI. Pressure testing must be done by a trained pool professional. Circulation equipment that is not tested properly can fail, which could result in severe injury or property damage.

1. Fill the system with water, using care to eliminate trapped air.
2. Pressurize the system with water to no more than 35 PSI.
3. Close the valve to trap pressurized water in the system.
4. Observe the system for leaks and/or pressure decay.
5. For technical support, call 800.822.7933.

## Section 4. Operation

### 4.1 Start-up

#### **CAUTION**

Never run the booster pump without water. Running the pump “dry” for any length of time can cause severe damage to both the pump and motor and will void the warranty.

#### **CAUTION**

Never run the booster pump without the cleaner connected. Running the pump without the cleaner connected will cause damage to the pump impeller and will void the warranty.

If this is a new pool installation, make sure all piping is clear of construction debris and has been properly pressure tested. The filter should be checked for proper installation, verifying all connections and clamps are secure according to the manufacturer's recommendations.

#### **WARNING**

To avoid risk of damage or injury, verify that all power is turned off before starting this procedure.

1. Turn filtration pump ON.
2. Open the filter pressure release to relieve the system system pressure until water comes out.
3. If the filter pump is located below the water level of the pool, opening the filter pressure release valve will prime the pump with water.
4. Once all the air has left the filter, close the pressure release valve.
5. Turn on the power to the booster pump. Then turn on the booster pump.
6. The booster pump should prime. The time it takes to prime will depend on the elevation and length of pipe used on the suction supply pipe. See *Section 3.3.6* for proper elevation and pipe size.
7. If the booster pump does not prime and all the instructions to this point have been followed, check for a suction leak.

## Section 5. Maintenance

### 5.1 Winterizing the Pump

#### CAUTION

The pump **must** be protected when freezing temperatures are expected. Allowing the pump to freeze will cause severe damage and void the warranty.

#### CAUTION

**Do not use antifreeze solutions in the pool, spa, or hot tub systems!** Antifreeze is highly toxic and may damage the circulation system. The only exception to this is Propylene Glycol. For more information see your local pool/spa supply store or contact a qualified swimming pool service company.

1. Drain **all** water from the pump, system equipment, and piping.
2. Remove the drain plug. Store the drain plug in a safe location and reinstall it when the cold weather season is over. **Do not lose the o-ring.** (Drain Plug with O-ring Set, R0537000).
3. Keep the motor covered and dry.

- NOTE** Covering the pump with plastic will create condensation, and this moisture will damage the pump. The best way to protect your pump is to have a qualified service technician or electrician properly disconnect the electrical wiring at the switch or junction box. Once the power is removed, the two (2) unions can be loosened and the pump stored indoors. For safety, and to prevent entry of contaminants, reinstall all conduit and terminal box covers.
4. When the system is reopened for operation, make sure all piping, valves, wiring, and equipment are in accordance with the manufacturer's recommendations. Pay close attention to the filter and electrical connections.
  5. The pump must be primed prior to starting; refer to *Section 4.1, Start-up*.

## Section 6. Troubleshooting and Repair

Zodiac strongly recommends that you call a licensed and qualified service professional in to perform any repairs on the filter/pump system. To locate an independent service company, check your local yellow pages or visit: [www.zodiacpoolsystems.com](http://www.zodiacpoolsystems.com).

### 6.1 Troubleshooting

Symptom	Possible Problem/Solution
The cleaning/circulating system is not operating correctly.	<p>Verify that skimmer baskets, pump basket and other screens are clean. Clean as necessary.</p> <p>Check filter and clean as necessary.</p> <p>Check valve positions. Adjust as necessary.</p> <p><b>NOTE</b> Multiple pieces of equipment operating at one time (for example, waterfalls, spa jets, and surface returns) may prevent the cleaning system from working properly.</p> <p>Check the cleaning system manually to ensure that the system is adjusted according to the manufacturer's recommendations.</p>
Bubbles present in the filtration pump basket.	<p>Air in system. Check the pool or spa water level to ensure it is at the proper level and that air is not being drawn into the suction piping. If the water is at normal level, turn off the pump. Remove the lid and check for debris around the lid o-ring seat or improper installation of the lid seal, as this either of these conditions will cause air to leak into the system. Clean the lid o-ring and place on the lid. Hand-tighten the lid to make an air tight seal. <b>Do not use any tools to tighten the lid.</b> Turn the pump back on.</p>
Air leaks are still present.	<p>Check the suction side piping union. While the pump is running, try to tighten the union. If this does not stop the air leak, turn off the pump. Loosen both unions and slide the pump out of the way. Remove, clean and re-install both union o-rings on the filtration pump.</p> <p>Reposition the pump next to the piping and secure the union nuts to the pump. With clean union o-rings, hand-tightening of the unions should create a seal. If the unions still do not seal, gently tighten with a large pair of tongue-and-groove pliers.</p> <p><b>Do not over-tighten.</b></p>
There is no air in the system, but the pressure is still low.	<p>It is possible that debris is caught in the pump impeller. The pump impeller moves the water, and the vanes in the impeller can become blocked with debris. See <i>Section 6.2, Service Technician Maintenance, 6.2.1, Blocked Impeller</i>, for more information.</p>
There is no debris blocking the impeller <b>and</b> the pressure is still low.	<p>The pump impeller is showing signs of normal wear. Have a qualified service technician check the impeller and replace as necessary.</p> <p>If the pump is part of a relatively new installation, it could be an electrical problem. Contact a qualified service technician. Have the technician check for loose electrical connections and check the voltage at the pump motor while it is in operation. The voltage must be within 10% of the motor's data plate rating. If the voltage is not within 10%, contact a qualified electrician and/or the local power service provider.</p> <p>Pump seal is leaking air. Have a qualified service technician replace the seal.</p>
The pump is leaking water between the motor and pump body.	<p>This is caused by a damaged or failed mechanical seal. Replace the seal. See <i>Section 6.2, Service Technician Maintenance, 6.2.4, Mechanical Seal Replacement</i>.</p>
The pump gets hot and shuts off periodically.	<p>Ensure that there is adequate room around the motor to circulate air and keep the motor cool. Have a qualified electrician check for loose connections and check the voltage at the pump motor while it is in operation. The voltage must be within 10% of the motor's data plate rating. If the voltage is not within 10%, contact a qualified electrician and/or the local power service provider.</p>

## 6.2 Service Technician Maintenance

### **⚠ WARNING**

This pump must be serviced by a professional service technician, qualified in pool/spa installation. The following procedures must be followed exactly. Improper installation and/or operation can create dangerous electrical hazards, which can cause high voltages to run through the electrical system, possibly causing property damage, serious injury, or death. Improper installation and/or operation will void the warranty.

### 6.2.1 Blocked Impeller

### **⚠ WARNING**

While servicing the pump, switch off the circuit breakers at the power source. Severe personal injury or death may occur if the pump starts while your hand is inside the pump.

1. Turn off the pump. Switch off the circuit breaker to the pump motor.
2. Look inside the pump for any debris. Remove any debris found inside.
3. Switch on the circuit breaker to the pump motor.
4. Turn on the pump, and see if the problem is solved.
5. If the impeller is still blocked with debris and it is not possible to remove the debris, the pump will need to be disassembled in order to access the inlet and outlet of the impeller.

### 6.2.2 Impeller Removal

### **⚠ WARNING**

While servicing the pump, switch off the circuit breakers at the power source. Severe personal injury or death may occur if the pump starts while your hand is inside the pump.

1. Turn off the pump. Switch off the circuit breaker to the pump motor. If you are not replacing the motor, do not disconnect the electrical wiring.

**NOTE** If you are replacing the motor, Zodiac strongly recommends that a qualified service technician or electrician properly disconnect the electrical wiring at the pump motor.

2. Turn off any valves to prevent pool water from reaching the pump. Drain the water from the pump by loosening the unions or removing the drain plugs.

3. Using a 9/16" wrench, loosen the bolts connecting the pump volute to the motor backplate. See Figure 8.

4. Pull the volute from the backplate. The impeller is connected to the motor shaft.

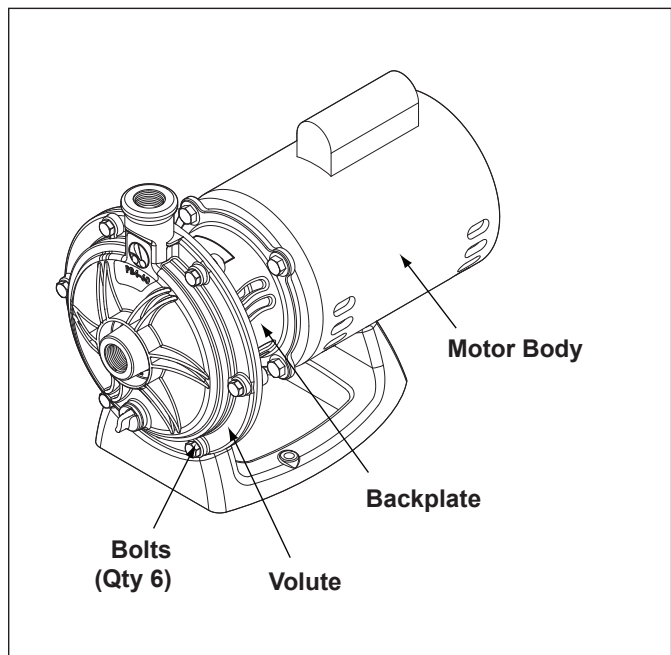
**NOTE** At this point you have access to the inlet and outlet of the impeller to remove any debris.

5. Remove the motor shaft cover on the back of the motor by twisting the hex-head screw with a 90° crescent wrench. See Figure 8. The motor shaft will be exposed.

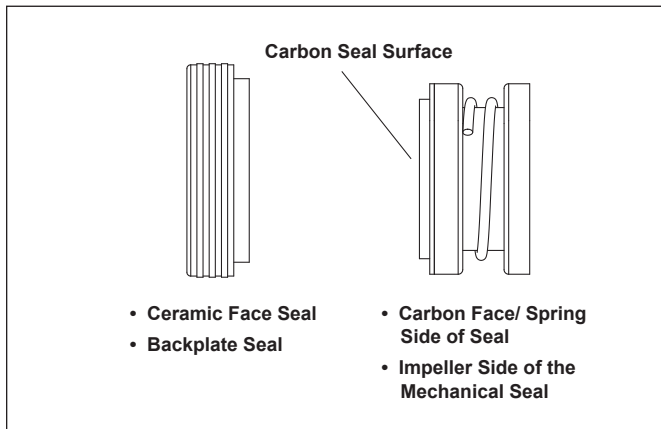
6. Hold the motor shaft with a 1/2" wrench while unscrewing the impeller from the motor shaft with your hand.

**NOTE** The impeller is a right-handed thread, therefore turn the impeller counter-clockwise to unscrew.

7. Inspect the impeller for signs of rubbing and/or damage.



**Figure 8. Remove the Pump Volute**



**Figure 9. Replace the Mechanical Seal**

### 6.2.3 Impeller Replacement

1. Press the new carbon face seal half (see Figure 9) on the motor shaft using a twisting motion. Make sure the carbon surface is facing toward the ceramic ring in the backplate.

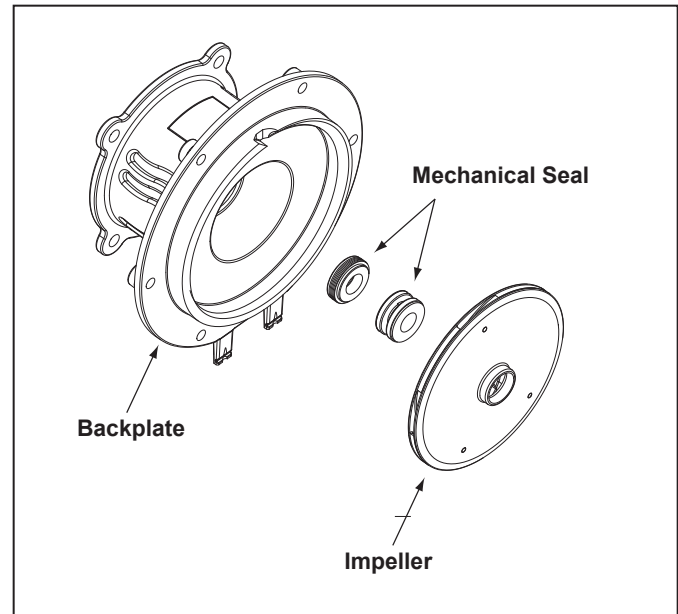
## CAUTION

**VERY IMPORTANT!** Grasp the lower portion of the seal (opposite the carbon face) when installing the seal, or it will be damaged.

**NOTE** To assist assembly, **only** use water and soap solution as a lubricant. Any other lubricant will destroy the seal after a short period of time.

**NOTE** Exercise great care to keep the seal and mating parts clean.

2. While holding the motor shaft with a ½" wrench, thread the impeller onto the motor shaft. Hand-tighten the impeller until it is secure. **Do not overtighten.**
3. Replace the motor shaft cover by inserting the cover tabs into the slots and rotating the cover 90° clockwise.
4. Install and tighten the screws lightly in a crossing "X" pattern using a 9/16" wrench, starting with the inner (middle) four (4) then the outer (top and bottom) four (4) to draw the backplate to the body in an even manner. Once all the screws are snug, torque in the same order to 18 ft-lbs.
5. Open the pressure release valve on the filter, and make sure it is clean and ready for operation.
6. Switch on the circuit breaker to the pump motor.
7. Turn on the pump and check the system for normal operation.
8. Once all the air has left the filter, close the pressure release valve.



**Figure 10. Backplate, Impeller and Mechanical Seal Location**

### 6.2.4 Mechanical Seal Replacement

**NOTE** This is a two (2) part replacement process. **The mechanical seal must be replaced as a set.**

**NOTE** Refer to Figure 10 for an illustration of the location of the mechanical seal and impeller.

## WARNING

Do not damage the ceramic or carbon surfaces of the seals. If surfaces are damaged, leaks will occur.

1. To access the mechanical seal, follow steps 1 through 6 of *Section 6.2.2, Impeller Removal*.
2. Remove the carbon face seal half from the motor shaft. Refer to Figure 9. This is a spring-loaded seal. Grasp the portion of the seal closest to the impeller body and pull the seal off using a twisting motion.
3. Remove the motor from the backplate following the steps in *Section 6.2.5, Motor Replacement*.
4. Place the backplate o-ring side down and force the ceramic seal out using a screwdriver or drift pin.
5. Turn the backplate o-ring side up and insert the new ceramic seal side into the backplate. Use great care to press the seal in squarely with your fingers. The ceramic is easily damaged and must be pressed in using only your fingers or soft tools. Do not use any lubricant other than water and soap solution.
6. Install the motor following the steps in *Section 6.2.5, Motor Replacement*.
7. Install the backplate following the steps in *Section 6.2.3, Impeller Replacement*.

## 6.2.5 Motor Replacement

### CAUTION

To ensure continued safety and reliable operation, Zodiac Pool Systems, Inc. requires that you replace the motor with a motor that has the identical HP rating and service factor (Zodiac Pool Systems, Inc. approved only).

### ⚠ WARNING

To avoid the risk of property damage, severe personal injury, or death, turn off the pump and switch off the circuit breaker to the pump motor before beginning this procedure.

1. Have a qualified service technician or electrician properly disconnect the electrical wiring at the pump motor.
2. To disassemble the pump volute from the motor, follow steps 1 through 6 in *Section 6.2.2, Impeller Removal*.
3. Remove the four (4) 9/16" screws and remove the motor.

**NOTE** Before removing the backplate, note the alignment of the backplate to the motor. Label is facing upward. See Figure 11.

4. If installing a new motor, remove the protective plastic cap from the motor shaft. Place the motor on the backplate. The label should be facing upward. The starting capacitor on the motor should be at the 12 o'clock position.
5. Replace the four (4) bolts and washers holding the backplate to the motor.

6. To reassemble the pump after replacing the motor, follow steps 1 through 9 of *Section 6.2.3, Impeller Replacement*.
7. Have a qualified service technician or electrician properly connect the electrical wiring at the pump motor.

**NOTE** Zodiac Pool Systems, Inc. recommends that the mechanical seals be replaced at the same time the motor is replaced. See *Section 6.2.4, Mechanical Seal Replacement*, for details.

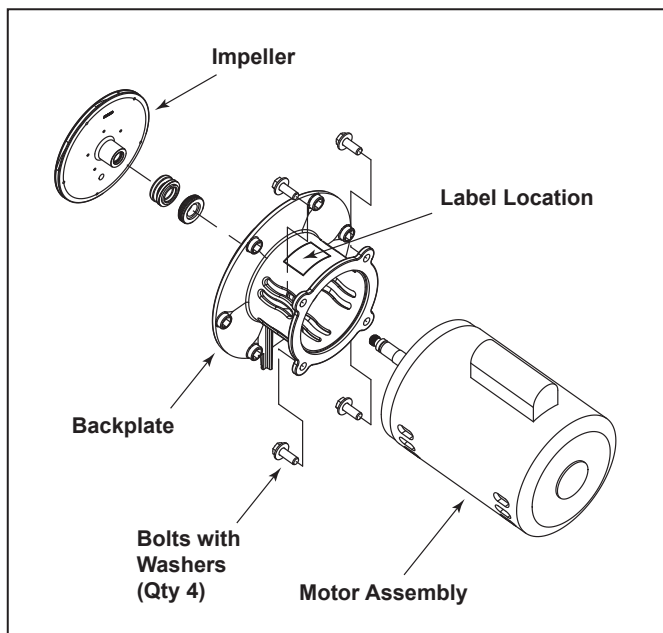


Figure 10. Remove Back Plate



## Section 7. Product Specifications and Technical Data

### 7.1 Replacement Parts List

To order or purchase parts for Zodiac® pumps, contact your nearest Zodiac dealer. If they cannot supply you with what you need, contact Zodiac technical support at 800.822.7933 or [www.zodiacpoolsystems.com](http://www.zodiacpoolsystems.com).

Key No.	Description	Qty	Order Part No.
1	Motor, 3/4 HP, Threaded Shaft, 60 Hz	1	P61
2	O-Ring, Backplate, PB4-60	1	R0536600
3	Seal, Ceramic and Spring	1	R0445500
4	Impeller, PB4-60	1	R0536400
5	Volute, PB4-60 (Includes Drain Plug with O-Ring)	1	R0536300
6	Bolts with Washers and Nuts	6	R0536900
7	Drain Plug with O-Ring, Common	1	R0537000
8	Base, Booster, PB4-60	1	R0537100
9	Bolts and Washers, Stainless, Motor, PB4-60	4	R0536800
10	Installation Kit, Softube® Quick Connect	1	P17
11	Pump Hose, 6 Ft, Flexible Reinforced	1	P19
12	Softube Quick Connect w/ Retainers	4	P133
13	Pump Quick Connect Retainer	4	P21
14	Backplate, PB4-60	1	R0536700

### 7.2 Polaris PB4-60 Booster Pump Exploded View

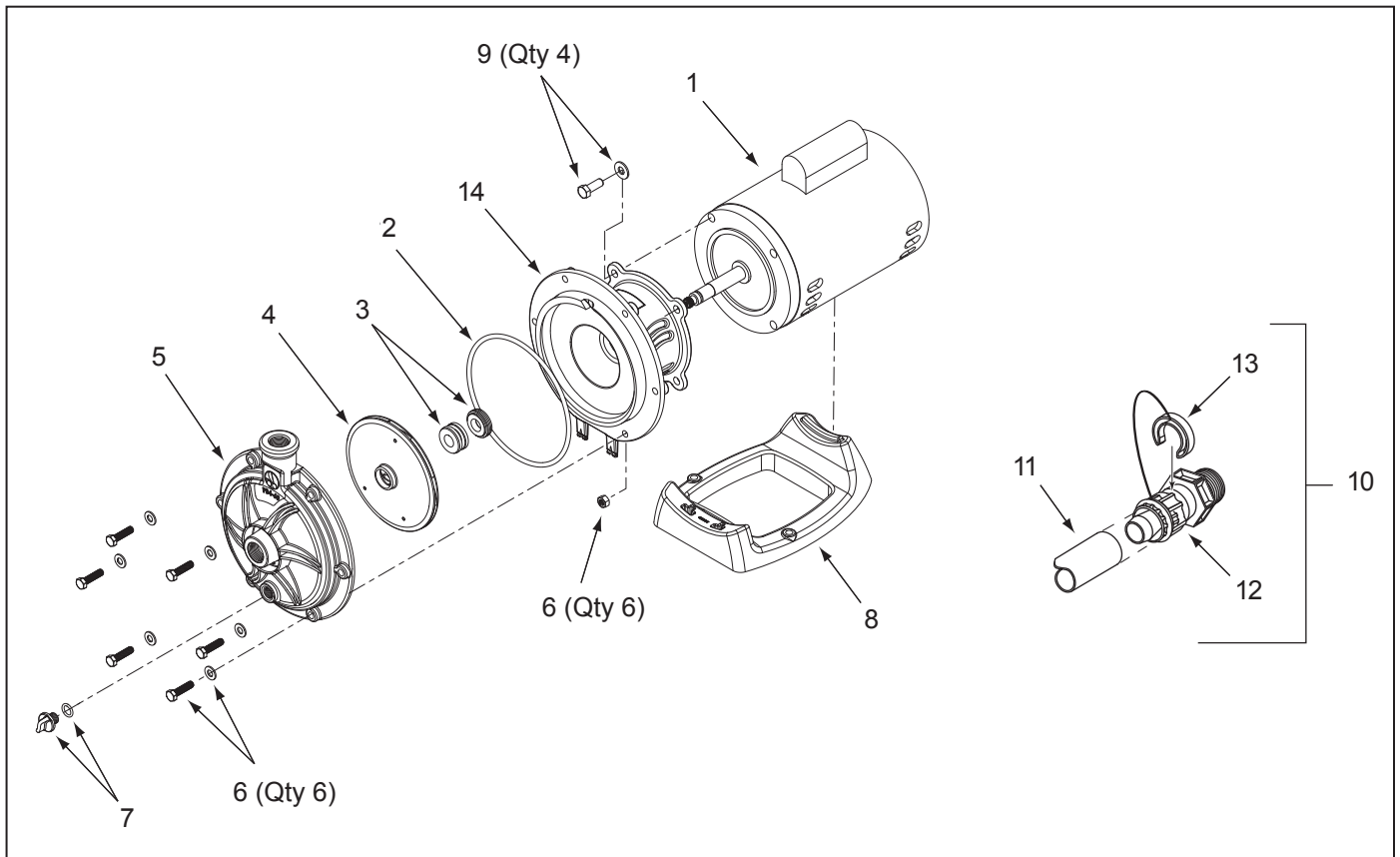


Figure 11. Polaris PB4-60 Booster Pump Exploded View

### 7.3 Pump Dimensions

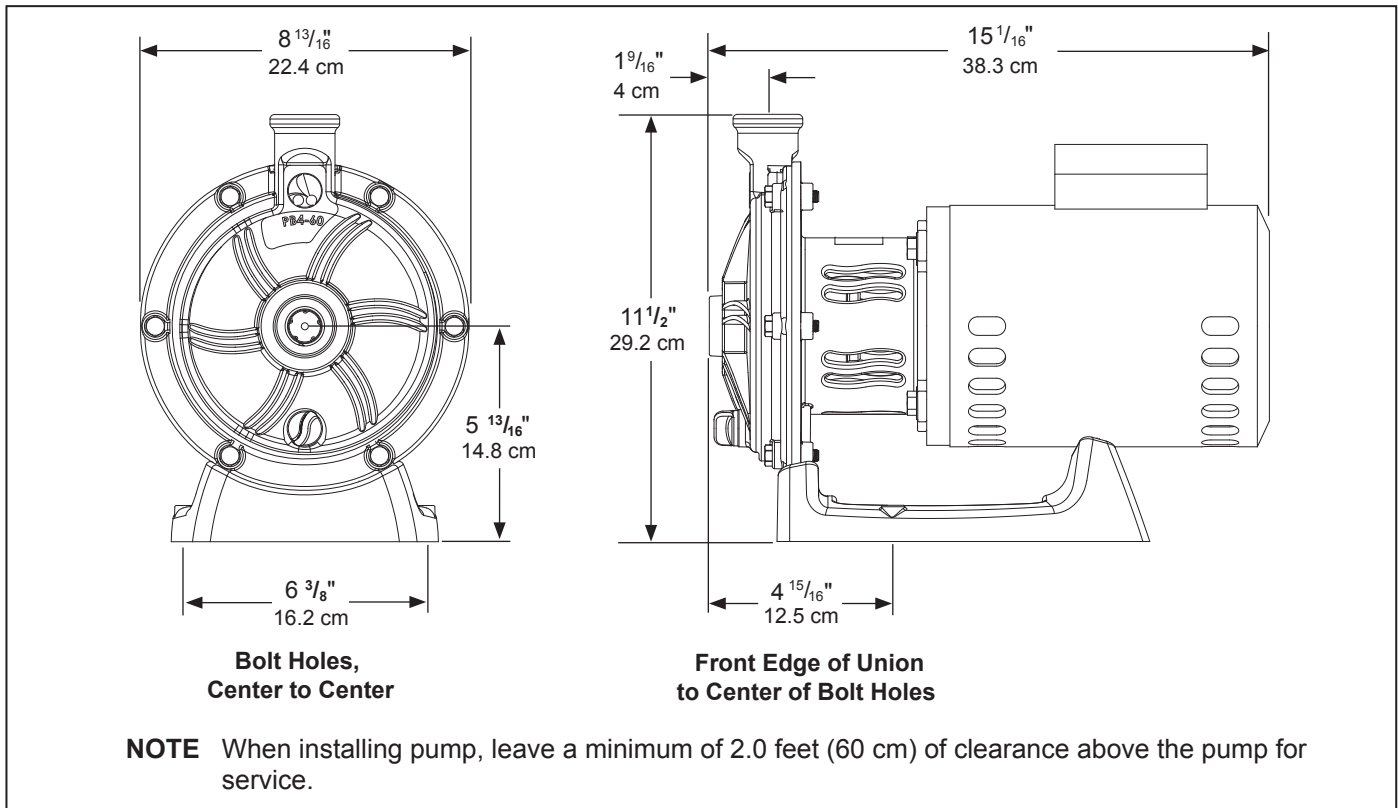


Figure 12. Polaris PB4-60 Booster Pump Dimensions

## 7.4 Visual Identification of the New Polaris PB4-60 Booster Pump



For Polaris PB4-60 Booster Pumps with Serial Numbers beginning with "PB" and a manufacturing date on or after Dec 1, 2011.

Figure 13. New Polaris PB4-60 Booster Pump



Older models of the PB4-60 Booster Pumps discontinued as of Nov 30, 2011.

Figure 14. Discontinued Older Model of PB4-60 Booster Pump

**Zodiac Pool Systems Canada, Inc.**

2115 South Service Road West, Unit 3  
Oakville, ON L6L 5W2

1.888.647.4004 | [www.ZodiacPoolSystems.ca](http://www.ZodiacPoolSystems.ca)

**Zodiac Pool Systems, Inc.**

2620 Commerce Way, Vista, CA 92081

1.800.822.7933 | [www.ZodiacPoolSystems.com](http://www.ZodiacPoolSystems.com)

*ZODIAC® is a registered trademark of Zodiac International, S.A.S.U., used under license.  
All trademarks referenced herein are the property of their respective owners.*

©2011 Zodiac Pool Systems, Inc. H0344400 Rev A 1110



# Polaris® PB4-60

## Pompe de surpression pour nettoyeur haute pression

## Manuel d'installation et de fonctionnement



Pour les pompes de surpression Polaris PB4-60 dont les numéros de série commencent par « PB », fabriquées le 1er décembre 2011 ou postérieurement.

### AVERTISSEMENT

**POUR VOTRE SÉCURITÉ** – L'installation et l'entretien de ce produit doivent être effectués par un technicien autorisé et qualifié pour la réparation des équipements de piscine par les autorités compétentes du territoire dans lequel ledit produit est installé lorsque de telles exigences locales ou provinciales sont édictées. Si aucune exigence locale, provinciale ou territoriale n'est disponible, l'agent d'entretien doit être un professionnel avec suffisamment d'expérience dans l'installation et la maintenance d'équipement de piscine pour appliquer correctement les consignes du présent manuel. Une installation ou utilisation incorrecte peut causer de dangereux risques électriques pouvant provoquer le passage de courants haute tension dans le système électrique. Avant d'installer ce produit, veuillez lire et suivre toutes les consignes de mise en garde et les instructions incluses avec ce produit. Le non-respect des avertissements et des instructions pourrait causer des dommages matériels, des blessures graves ou même un décès. L'installation ou l'utilisation inappropriée annuleront la garantie.

Si ces consignes ne sont pas suivies à la lettre, un incendie ou une explosion pourrait survenir causant des dommages matériels, des blessures ou un décès.



**À L'ATTENTION DE L'INSTALLATEUR** : Le présent manuel contient des renseignements importants sur l'installation, le fonctionnement et l'utilisation dans le risque de ce produit. Ces renseignements doivent être donnés au propriétaire ou à l'utilisateur de cet appareil.



## Table des matières

<b>Section 1. Consignes de sécurité importantes .....</b>	<b>24</b>	<b>Section 4. Fonctionnement.....</b>	<b>31</b>
1.1 Consignes de sécurité .....	24	4.1 Démarrage.....	31
1.2 Normes de prévention du piégeage par aspiration de la pompe de piscine. ....	26	<b>Section 5. Entretien .....</b>	<b>32</b>
<b>Section 2. Description générale .....</b>	<b>27</b>	5.1 Hivernage de la pompe.....	32
2.1 Introduction .....	27	<b>Section 6. Dépannage et réparation.....</b>	<b>33</b>
2.2 Description.....	27	6.1 Dépannage .....	33
2.3 Préparation .....	27	6.2 Maintenance par un technicien en entretien et en réparation.....	34
<b>Section 3. Installation.....</b>	<b>27</b>	6.2.1 Turbine bloquée.....	34
3.1 Installation électrique .....	27	6.2.2 Retrait de la turbine .....	34
3.1.1 Vérifications de la tension.....	27	6.2.3 Remplacement de la turbine.....	35
3.1.2 Connexion et mise à la terre.....	27	6.2.4 Remplacement de la garniture mécanique .....	35
3.2 Électrique.....	27	6.2.5 Remplacement du moteur .....	36
3.2.1 Câblage électrique.....	27	<b>Section 7. Caractéristiques du produit et données techniques .....</b>	<b>37</b>
3.3 Plomberie.....	28	7.1 Liste des pièces de rechange .....	37
3.3.1 Exigences .....	28	7.2 Vue éclatée de la pompe de surpression Polaris PB4-60.....	37
3.3.2 Dimensions des tuyaux .....	29	7.3 Dimensions des pompes .....	38
3.3.3 Emplacement de la pompe.....	29	7.4 Identification visuelle de la nouvelle pompe de surpression Polaris PB4-60 .....	39
3.3.4 Installer la pompe .....	30		
3.3.5 Recommandations relatives à l'installation.....	30		
3.3.6 Vérifier le débit d'eau.....	30		
3.3.7 Effectuer des tests de pression .....	31		

### FICHE DE RENSEIGNEMENTS SUR L'ÉQUIPEMENT

DATE D'INSTALLATION \_\_\_\_\_

INFORMATION SUR L'INSTALLATEUR \_\_\_\_\_

LECTURE INITIALE DU MANOMÈTRE (AVEC FILTRE PROPRE) \_\_\_\_\_

MODÈLE DE POMPE \_\_\_\_\_ CHEVAUX \_\_\_\_\_

REMARQUES : \_\_\_\_\_

\_\_\_\_\_

\_\_\_\_\_

## Section 1. Consignes de sécurité importantes

### LIRE ET SUIVRE TOUTES LES CONSIGNES

#### 1.1 Consignes de sécurité

Tous les travaux d'électricité doivent être accomplis par un électricien agréé et doivent se conformer aux normes fédérales, provinciales et locales. Au moment de l'installation et de l'utilisation de cet équipement électrique, des précautions de base doivent toujours être suivies, entre autres :

#### **AVERTISSEMENT**

Pour réduire le risque de blessure, ne pas permettre aux enfants d'utiliser ce produit.

#### **AVERTISSEMENT**

Afin de réduire le risque de dommages matériels ou de blessures, ne pas essayer de changer la position du robinet de lavage à contre-courant (multivoies, de glissement ou de passage intégral) pendant le fonctionnement de la pompe.

#### **AVERTISSEMENT**

Les pompes Zodiac® fonctionnent à l'aide d'un moteur électrique haute tension et doivent être installées par un électricien agréé ou licencié, ou un technicien en entretien et en réparation de piscines qualifié.

#### **AVERTISSEMENT**

**RISQUE DE CHOC ÉLECTRIQUE, D'INCENDIE, DE BLESSURES OU DE MORT.** Brancher seulement à un circuit qui est protégé par un disjoncteur de fuite à la terre. En cas de doute, consulter un électricien certifié. S'assurer qu'un tel disjoncteur est fourni par l'installateur et fait l'objet d'essais régulièrement. Pour tester le disjoncteur de fuite à la terre, appuyer sur le bouton de test. Le disjoncteur de fuite à la terre doit couper l'alimentation électrique. Appuyer sur le bouton de réinitialisation. L'alimentation électrique devrait être restaurée. Si le disjoncteur de fuite à la terre ne fonctionne pas de cette façon, c'est qu'il est défectueux. Si le disjoncteur de fuite à la terre coupe l'alimentation à la pompe sans que le bouton de test soit enfoncé, il y a alors circulation de courant à la terre, ce qui indique la possibilité de choc électrique. Ne pas utiliser la pompe. Débrancher la pompe et s'assurer que le problème soit résolu par un représentant d'entretien et de réparation qualifié avant de l'utiliser.

En raison du risque potentiel d'incendie, de choc électrique ou de blessures corporelles, les pompes Zodiac doivent être installées conformément au Code national d'électricité (NEC), à tous les codes locaux d'électricité et de sécurité et à la Loi sur la santé et la sécurité au travail (LSST). Vous pouvez obtenir des exemplaires du Code national d'électricité (NEC) de la National Fire Protection Association (NFPA) en ligne à [www.nfpa.org](http://www.nfpa.org) ou en composant le 617 770-3000 ou en contactant votre organisme d'inspection gouvernemental local.

#### **AVERTISSEMENT**

Un équipement mal installé peut être défaillant et causer des blessures graves ou des dommages matériels.

#### **AVERTISSEMENT**

- Ne pas raccorder le système à un réseau urbain de distribution d'eau non réglementé ou à une autre source externe d'eau sous pression générant des pressions supérieures à 2,4 bars (35 psi).
- L'air emprisonné dans le système peut provoquer l'ouverture par soufflage du couvercle du filtre et entraîner la mort, de graves blessures corporelles ou des dommages matériels. Avant d'utiliser le système, s'assurer que tout l'air soit bien expulsé.



## AVERTISSEMENT

Afin de réduire les risques de blessures graves ou même la mort, le filtre et/ou la pompe ne devraient pas être soumis à l'essai de pressurisation de la tuyauterie.

Les codes locaux peuvent exiger l'application d'un essai de pressurisation sur la tuyauterie de la piscine. Ces exigences ne s'appliquent généralement pas à l'équipement de piscine, tel que les filtres ou les pompes.

L'équipement de piscine Zodiac® a fait l'objet d'essais de pressurisation en usine.

Si toutefois l'AVERTISSEMENT ne peut être respecté et que l'essai de pressurisation de la tuyauterie doit aussi inclure le filtre ou la pompe, S'ASSURER DE SE CONFORMER AUX CONSIGNES DE SÉCURITÉ SUIVANTES :

- Vérifier que l'ensemble des brides, boulons, couvercles, bagues de retenue et accessoires du système sont correctement installés et fixés solidement avant d'effectuer un test.
- ÉVACUER TOUT L'AIR dans le circuit avant les essais.
- La pression d'eau pour l'essai ne doit PAS DÉPASSER 35 LB/PO<sup>2</sup> (241 kPa).
- La température de l'eau pour l'essai NE DOIT PAS DÉPASSER 100 °F (38 °C).
- Limiter l'essai à 24 heures. Après l'essai, vérifier visuellement le système pour s'assurer qu'il est prêt à fonctionner.

Avis : ces paramètres s'appliquent uniquement à l'équipement Zodiac. Pour l'équipement non fabriqué par Zodiac, consulter le fabricant.

## AVERTISSEMENT

Des déversements et vapeurs chimiques peuvent affaiblir l'équipement de la piscine ou du spa. La corrosion peut causer la défaillance des filtres et autre équipement, ce qui peut entraîner des blessures graves ou des dommages matériels. Ne pas entreposer de produits chimiques de piscine près de votre équipement.

## ATTENTION

Ne pas démarrer votre pompe à sec! Faire fonctionner la pompe à sec pendant une durée quelconque causera des dommages importants et annulera la garantie.

## ATTENTION

Cette pompe doit être utilisée avec des piscines installées de manière permanente et, si cela est également mentionné, avec des cuves thermales et des spas. Ne pas utiliser avec des piscines remisables. Une piscine installée de manière permanente est construite dans le sol ou sur le sol ou dans un édifice de sorte qu'elle ne peut pas être facilement démontée aux fins de remisage. Une piscine remisable est construite pour être facilement démontée aux fins d'entreposage, puis réassemblée à son état initial.

## ATTENTION

Ne pas installer dans une enceinte extérieure ou sous les bords d'une cuve thermique ou d'un spa portatif. La pompe nécessite une ventilation adéquate afin de maintenir la température de l'air inférieure à la température ambiante maximale indiquée sur la plaque signalétique du moteur.

**CONSERVER CES DIRECTIVES**

## 1.2 Normes de prévention du piégeage par aspiration de la pompe de piscine.

### AVERTISSEMENT

L'aspiration de la pompe est dangereuse et peut piéger, noyer ou éviscérer les baigneurs. Ne pas utiliser ni faire fonctionner de piscines, spas ou cuves thermales si un couvercle de sortie d'aspiration est manquant, brisé ou instable. Les directives suivantes fournissent l'information d'installation de la pompe afin de minimiser le plus possible les risques de blessure aux utilisateurs de piscines, de spas et de cuves thermales :

**Protection contre le piégeage** — Le système d'aspiration de la pompe doit fournir une protection contre les dangers de piégeage par aspiration.

**Couvercles de sorties d'aspiration** — Toutes les sorties d'aspiration doivent être correctement installées, et les couvercles bien vissés en place. Tous les couvercles de sortie d'aspiration (tuyau d'écoulement) doivent être entretenus. Les couvercles de drain doivent être listés/certifiés dans la dernière version ANSI/ASME A112.19.8. Ils doivent être remplacés si ils sont fendus, cassés ou manquants.

**Nombre de sorties d'aspiration par pompe** — Fournir au moins deux (2) drains de fond hydrauliquement équilibrés, avec couvercles, en guise de sorties d'aspiration pour chaque conduite d'aspiration de pompe de circulation. Les centres des drains de fond (sorties d'aspiration) sur toute conduite d'aspiration doivent être éloignés d'au moins un (1) mètre (3 pi) l'un de l'autre, entr'axe. Voir la Figure 1.

Le système doit être conçu pour comprendre au moins deux sorties d'aspiration (drains) connectées à la pompe chaque fois que la pompe fonctionne. Cependant, si deux (2) drains de fond aboutissent à une seule conduite d'aspiration, cette dernière peut être équipée d'un robinet qui coupera les deux drains de fond de la pompe. Le système doit être conçu de manière à ne pas permettre une fermeture ou un isolement distinct ou indépendant de chaque drain. Voir la Figure 1.

Plus d'une (1) pompe peut être raccordée à une seule conduite d'aspiration aussi longtemps que les exigences susmentionnées soient respectées.

**Vitesse maximale de l'eau** — La vitesse maximale de l'eau à travers le raccord d'aspiration ou le couvercle de toute prise d'aspiration doit être de 45 cm/s (1,5 pi/s), à moins que la sortie ne soit conforme à la dernière version ANSI/ASME A112.19.8 publiée, la norme pour les raccords d'aspiration à utiliser dans les piscines, pataugeoires, spas et cuves thermales. Dans tous les cas, ne pas dépasser les débits maximaux conçus pour les raccords d'aspiration.

Si 100 % du débit de la pompe provient du système principal de canalisation d'évacuation, la vitesse maximale de l'eau dans le système hydraulique de la pompe d'aspiration doit être de 1,8 m/s (6 pi/s) ou moins, même lorsqu'un (1) drain de fond (sortie d'aspiration) est complètement bloqué. Le débit à travers les autres drains de fond doit être conforme à la dernière version ANSI/ASME A112.19.8 publiée, la norme pour les raccords d'aspiration à utiliser dans les piscines, pataugeoires, spas et cuves thermales.

**Essais et certification** - Les couvercles de la prise d'aspiration doivent avoir fait l'objet d'essais de la part d'un laboratoire reconnu à l'échelle nationale et jugés conformes à la dernière version ANSI/ASME A112.19.8 publiée, la norme pour les raccords d'aspiration à utiliser dans les piscines, les pataugeoires, les spas et les cuves thermales.

**Raccords** — Les raccords limitent le débit, pour une plus grande efficacité, utiliser le moins de raccords possibles (mais au moins deux (2) sorties d'aspiration).

Éviter les raccords qui pourraient causer l'emprisonnement de l'air.

Les raccords d'aspiration du nettoyeur à piscine doivent être conformes aux normes de l'International Association of Plumbing & Mechanical Officials (IAPMO).

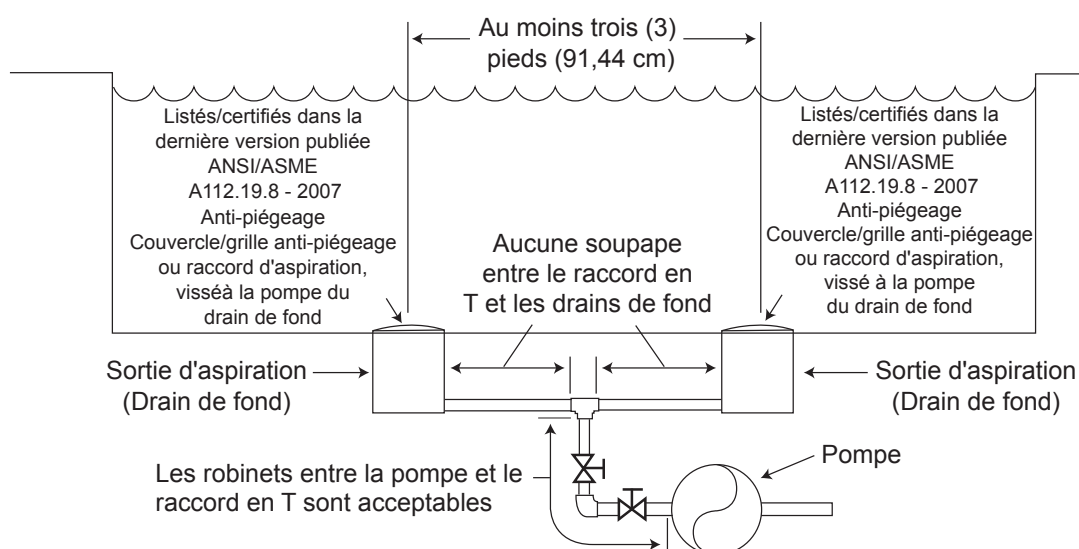


Figure 1. Nombre de sorties d'aspiration par pompe

## Section 2. Description générale

### 2.1 Introduction

Ce manuel comprend des informations nécessaires à l'installation, le fonctionnement et l'entretien adéquats de la pompe Polaris PB4-60. Les procédures de ce manuel doivent être scrupuleusement suivies. Pour obtenir des copies supplémentaires de ce manuel, communiquer avec Zodiac Pool Systems, Inc. (« Zodiac ») au 1 800 822-7933. Pour les coordonnées, voir au verso du présent manuel.

### 2.2 Description

La pompe de surpression Polaris PB4-60 alimente en eau haute pression le nettoyeur à piscine Polaris afin de maximiser le rendement du nettoyeur. La pompe n'a pas de pouvoir d'aspiration et doit seulement être utilisée lorsque la pompe de filtration est activée.

#### ATTENTION

L'utilisation de la pompe de surpression sans la pompe de filtrage endommagera la pompe de surpression. Une utilisation incorrecte de la pompe de surpression annulerait la garantie.

### 2.3 Préparation

1. Dès réception de la pompe, vérifier que la boîte d'expédition n'est pas endommagée. Ouvrir la boîte et vérifier que la pompe ne cache aucun dommage comme des fissures, des bosses et que la base n'a pas été pliée. S'il y a des dommages, contacter l'expéditeur ou le concessionnaire chez qui la pompe a été achetée.
2. Inspecter le contenu de la boîte et vérifier que toutes les pièces s'y trouvent. Voir section 7.1, Liste des pièces de rechange.

## Section 3. Installation

### 3.1 Installation électrique

#### 3.1.1 Vérifications de la tension

La tension adéquate, telle qu'elle est spécifiée sur la plaque d'identification de la pompe, est nécessaire pour une bonne performance et une longue durée de vie du moteur. Une tension inappropriée diminuera le rendement de la pompe et pourrait causer une surchauffe, réduire la durée de vie du moteur et entraîner une augmentation de la facture d'électricité.

Il est de la responsabilité de l'installateur de fournir la tension fonctionnelle de la pompe figurant sur la plaque d'identification en s'assurant que les bonnes dimensions de circuit et de câble soient utilisées pour cet usage spécifique.

Le Code national de l'électricité (NEC, NFPA-70) exige que tous les circuits de la pompe d'une piscine soit protégés par un disjoncteur de fuite à la terre. Par conséquent, il est également de la responsabilité de l'installateur électrique de s'assurer que le circuit de la pompe soit conforme aux présentes exigences et à toute autre exigence applicable du Code national de l'électricité (NEC) et à tout autre code d'installation applicable.

#### ATTENTION

L'omission de fournir la tension (à 10 % près) figurant sur la plaque d'identification au cours du fonctionnement causera la surchauffe du moteur et annulera la garantie.

#### 3.1.2 Connexion et mise à la terre

1. Le châssis du moteur doit être mis à la terre à l'aide d'un conducteur solide en cuivre no 8 (8,4 mm<sup>2</sup>) AWG ou plus grand. Au Canada, le no 6 (13,3 mm<sup>2</sup>) AWG ou plus grand doit être utilisé. Si la pompe est installée à moins de cinq (5) pieds (1,5 m) des parois intérieures de la piscine, du spa ou du jacuzzi, le châssis du moteur doit être raccordé à toutes les parties métalliques de la piscine, du spa ou du jacuzzi et de tous les équipements électriques, les conduits métalliques, les canalisations métalliques et à moins de cinq (5) pieds (1,5 m) des parois intérieures de la piscine, du spa ou du jacuzzi.
2. Faire le raccordement de mise à la terre du moteur à l'aide de la cosse externe fournie.

#### AVERTISSEMENT

Pour éviter le risque des dommages matériels, des blessures graves et/ou de mort, déconnecter toujours la source d'alimentation avant de travailler sur un moteur ou sur sa charge branchée.

#### AVERTISSEMENT

Pour éviter le risque des dommages matériels, des blessures graves ou de mort, s'assurer que l'interrupteur de commande, ou l'horodateur, est installé à un endroit accessible afin que, dans l'éventualité d'une défaillance d'équipement ou d'un raccord de plomberie lâche, l'équipement puisse être mis hors tension. Cet endroit ne doit pas être dans la même zone que la pompe de piscine, le filtre et autre équipement.

#### ATTENTION

Cette pompe doit être connectée en permanence à un circuit électrique dédié. Aucun autre équipement, lumière, appareil ou prise de courant ne peut être connecté au circuit de la pompe à l'exception des dispositifs qui peuvent devoir fonctionner en même temps que la pompe tel qu'un chlorateur ou un appareil de chauffage.

### 3.2 Électrique

#### 3.2.1 Câblage électrique

1. Le moteur de la pompe doit être mis à la terre de manière sécurisée et adéquate en utilisant le tournevis vert fourni. Mettre à la terre avant d'essayer de connecter à une source d'alimentation électrique. **Ne pas mettre à la terre à un tuyau d'alimentation en gaz.**
2. La dimension du câble doit être appropriée afin de réduire la chute de tension pendant le démarrage et le fonctionnement de la pompe. Voir le Tableau 1 pour des tailles de câbles.
3. Isoler soigneusement toutes les connexions afin d'empêcher la mise à la terre ou un court-circuit. Les extrémités tranchantes des bornes nécessitent une

Tableau 1. Taille maximale des câbles et protection maximale de surintensité

CÂBLAGE DE DIMENSION MAXIMALE ET PROTECTION MAXIMALE CONTRE LES SURINTENSITÉS*								
Distance du sous-panneau		0 à 50 pieds (15 mètres)		50 à 100 pieds (15 à 30 mètres)		100 à 200 pieds (30 à 60 mètres)		
Modèle de la pompe	Amplificateurs de fusibles de ligne classe : CC, G, H, J, K, RK, ou T		TENSION		TENSION		TENSION	
	230 VCA	115 VCA	208 à 230 VCA	115 VCA	208 à 230 VCA	115 VCA	208 à 230 VCA	115 VCA
PB4-60	15A	20A	14 AWG (2,1mm <sup>2</sup> )	12 AWG (3,3mm <sup>2</sup> )	12 AWG (3,3mm <sup>2</sup> )	10 AWG (5,3mm <sup>2</sup> )	10 AWG (5,3mm <sup>2</sup> )	10 AWG (5,3mm <sup>2</sup> )

\*Suppose trois (3) conducteurs en cuivre dans un conduit enterré et une perte maximale de tension de 3 % dans le circuit branché. Le Code électrique national (NEC) et les codes locaux doivent être respectés. Le tableau présente les recommandations de tailles minimales de câbles et de fusibles de dérivation pour une installation typique selon le NEC.

protection supplémentaire. Pour empêcher que les serre-fils ne se desserrent, les isoler à l'aide du ruban isolant électrique approprié et homologué (UL, ETL, CSA). Pour des raisons de sécurité et pour empêcher la pénétration de contaminants, replacer tous les couvercles de boîtes de dérivation et de connexions. **Ne pas forcer les connexions à la boîte de dérivation.**

- Pour configurer le câblage interne du moteur de la pompe à la tension appropriée, se référer au diagramme sur la plaque d'identification du moteur.
- L'intensité du courant au démarrage du moteur de la pompe de surpression peut dépasser 15 ampères avec une tension de 115 VCA. Il est recommandé d'utiliser un disjoncteur de 20 ampères avec la pompe raccordée à la source d'alimentation de 115 VCA.
- Le moteur de la pompe à surpression est précablé en usine pour une tension de 230 volts, mais il peut être câblé pour 115 ou 230 volts. Pour recâbler à 115 volts, suivre les instructions sur la plaque signalétique située au dos du moteur ou sur la plaque de calibrage située sur le côté du moteur.
- Il est recommandé d'utiliser une horloge séparée (en plus de l'horloge du système de filtration) afin de contrôler les fonctions de démarrage et d'arrêt de la pompe de surpression. Il est aussi possible d'utiliser un interrupteur manuel.
- Si une horloge est utilisée, la régler afin de démarrer la pompe au moins 30 minutes avant la mise en marche de la pompe de filtration, et arrêter la pompe au moins 30 minutes avant l'arrêt de la pompe de filtration. Vérifier périodiquement les réglages des horloges afin de s'assurer qu'elles sont bien synchronisées.

### 3.3 Plomberie

## ATTENTION

S'assurer de ne pas trop serrer les raccords des tuyaux de l'entrée ou de la sortie de la pompe de surpression. Un serrage trop fort pourrait fissurer le boîtier.

#### 3.3.1 Exigences

La pompe de surpression Polaris requiert une conduite de retour spéciale. Raccorder la pompe de surpression au système afin qu'elle reçoive le débit de la pompe de filtration.

Pour s'assurer du bon fonctionnement de la pompe et du nettoyeur, consulter la Figure 2 et respecter les lignes directrices suivantes concernant les équipements spécifiques.

- Raccorder la conduite dédiée en amont de tous les équipements qui aspirent l'air.
- Si un réchauffeur est installé sur le système, installer l'entrée pour la pompe de surpression dans la conduite de retour en amont et à au moins trois (3) pieds (1 mètre) du débit du réchauffeur. Voir la Figure 2. **Ne pas installer l'entrée de la pompe de surpression sur la section du tuyau du dissipateur de chaleur qui sort directement du réchauffeur.**
- Certains systèmes de chauffage solaires utilisent tout le débit d'eau lorsque les panneaux sont purgés d'air. Si la pompe est installée sur un tuyau qui ne reçoit pas de débit pendant les purges des panneaux solaires, installer un système automatique de réglage pour arrêter la pompe.
- Installer l'entrée de la pompe de surpression plus loin en amont et aussi loin que possible du chlorateur.

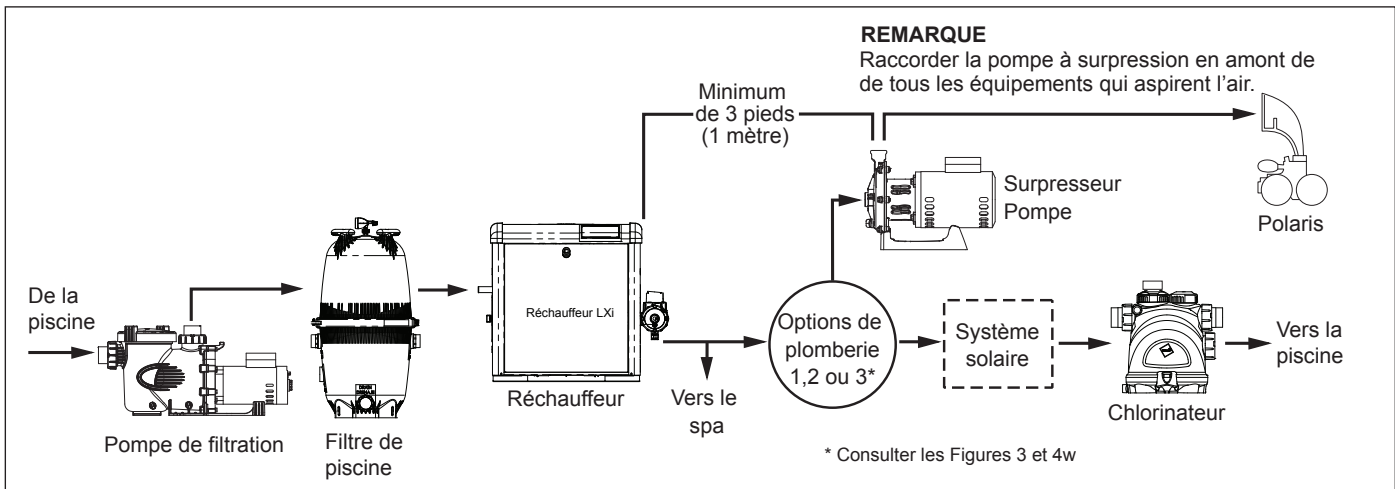


Figure 2. Disposition typique des équipements

### 3.3.2 Dimensions des tuyaux

1. Il est recommandé d'utiliser un tuyau en PVC rigide d'un diamètre minimum de 3/4 po, 1 1/2 po pour la conduite de retour dédiée. Il n'est pas recommandé d'utiliser des tuyaux en PVC flexibles pour la conduite de retour à la piscine mise sous terre, car ils peuvent être endommagés par l'expansion et le mouvement causés par la montée de la pression de la pompe. Consulter les Figures 3 et 4.
2. La conduite du raccordement de l'entrée de la pompe de surpression doit consister en un tuyau d'au moins 3/4 po. **Le raccord rapide Softube est conçu uniquement pour le tuyau renforcé Polaris (pièce no P19).**
3. Ne pas raccorder à la partie supérieure d'une conduite horizontale.
4. Utiliser des raccords en L afin de minimiser les coudes et les boucles sur le tuyau renforcé Polaris.

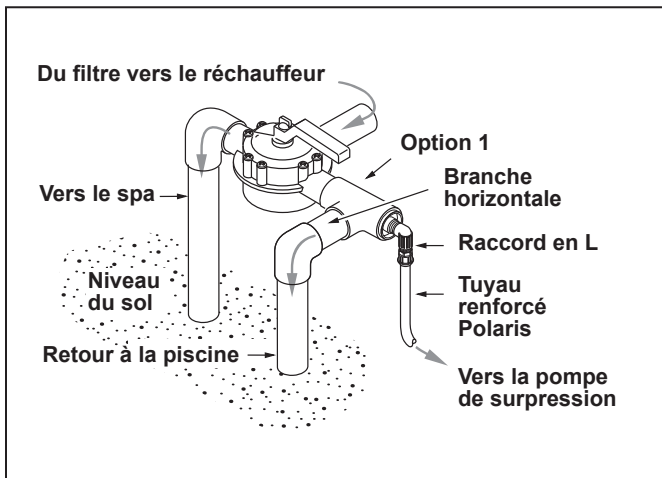


Figure 4. Configuration de la tuyauterie recommandée

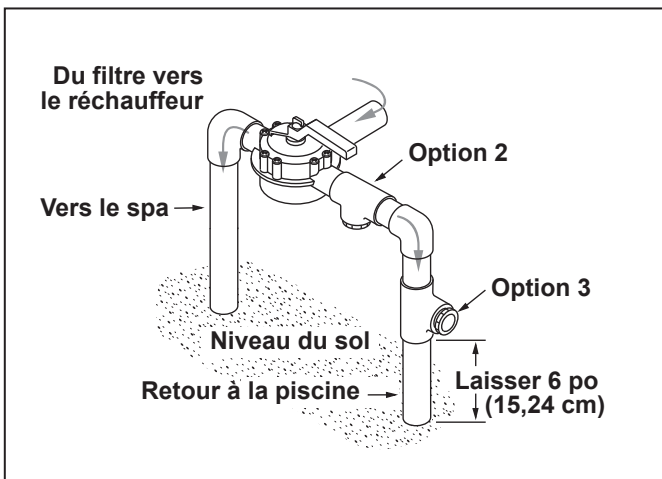


Figure 4. Configuration de la tuyauterie alternative

### 3.3.3 Emplacement de la pompe

1. Zodiac Pool Systems, Inc. recommande d'installer la pompe à un (1) pied (30 cm) au-dessus du niveau d'eau. La pompe ne devrait pas être élevée de plus d'un mètre au-dessus de la surface de l'eau de la piscine.
2. Si la pompe est située sous le niveau de l'eau, les clapets d'isolement doivent être installés à la fois dans les conduites d'aspiration et de retour afin d'empêcher le retour d'eau de la piscine pendant tout entretien requis ou de routine.

## ! AVERTISSEMENT

Certains systèmes de sécurité contre le pompage à vide dispositifs (SVRS) ne sont pas compatibles avec des installations de clapets antiretour. Si la piscine comporte un dispositif de sécurité par déclenchement sous vide (SVRS), ne pas oublier de confirmer qu'il continuera à fonctionner en toute sécurité lorsqu'un clapet antiretour sera installé.

3. La pompe et les autres équipements de circulation doivent être situés à plus de 1,5 m (5 pi) de l'eau. Choisir un emplacement qui réduira les coudes dans la tuyauterie.

**REMARQUE** Au Canada, la pompe doit être située à au moins 3,0 m [environ 10 pi] de l'eau (norme CSA C22.1).

4. La pompe doit être placée sur une base solide qui ne vibrera pas. Afin de réduire davantage la possibilité de bruit de vibration, verrouiller la pompe à la base.

**REMARQUE** Zodiac recommande de boulonner la pompe directement à la base.

5. La base de la pompe doit être bien drainée afin d'éviter que le moteur ne se mouille. La pompe doit être protégée de la pluie et du soleil.
6. Une ventilation adéquate est requise pour que la pompe fonctionne normalement. Tous les moteurs dégagent de la chaleur, laquelle doit être évacuée à l'aide d'une bonne ventilation.
7. Fournir un accès pour l'entretien futur en laissant une aire dégagée autour de la pompe. Laisser suffisamment d'espace au-dessus de la pompe pour l'entretien.
8. Si l'équipement est recouvert, prévoir un éclairage adéquat.

### 3.3.4 Installer la pompe

1. Installer la pompe en utilisant deux (2) chevilles d'expansion en béton pour assurer la stabilité.
2. Glisser la bague de retenue à raccord rapide sur les filets Softube à raccord rapide. Installer les dispositifs de retenue à raccord rapide sur les orifices d'aspiration et de refoulement de la pompe.
3. Mesurer et couper le tuyau renforcé en s'assurant que la coupe est nette, pas plus de 30° de la ligne droite. Éviter des coudes ou des courbures inutiles dans le tuyau.
4. Pousser le tuyau dans le dispositif de retenue de raccord rapide jusqu'à ce qu'il soit de niveau avec le raccord cannelé du tuyau. Voir figure 5.
5. En retenant le tuyau, tourner et tirer la gaine de protection du raccord rapide sur le tuyau aussi loin que possible. Encliqueter l'attache. Voir la Figure 6.

**REMARQUE** La bague de retenue doit être installée. S'il est impossible de placer la gaine de protection sur le raccord rapide pour permettre à la bague de retenue de glisser en place, voir Figure 6. Mouiller l'intérieur du tuyau avec de l'eau propre et essayer de nouveau.

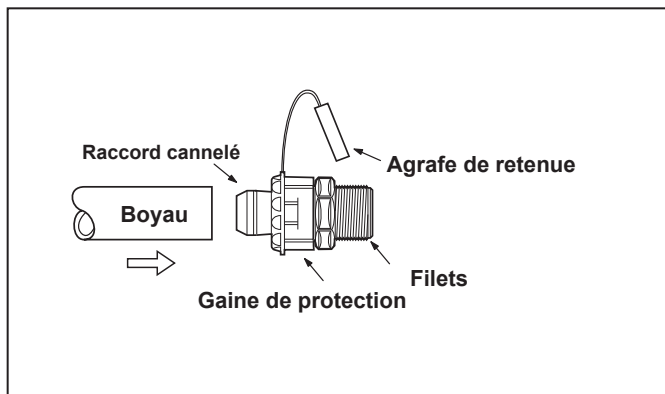


Figure 5. Raccorder le tuyau au raccord rapide

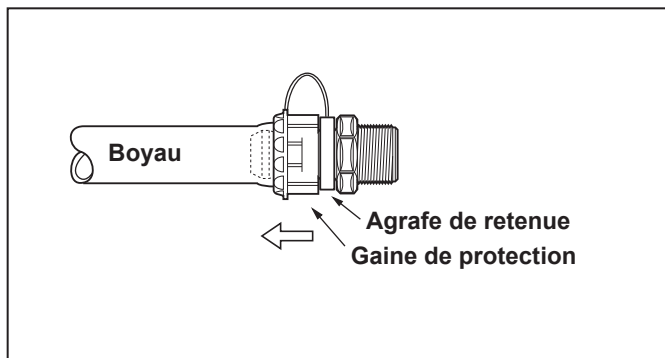


Figure 6. Installer la pince de retenue

### 3.3.5 Recommandations relatives à l'installation.

1. Si la pompe est située sous le niveau de l'eau, les clapets d'isolement doivent être installés sur les deux côtés de la pompe pour empêcher le retour d'eau pendant tout entretien requis ou de routine.
2. Pour réduire les difficultés d'amorçage, installer le tuyau d'aspiration sans points hauts (au-dessus de l'orifice d'entrée de la pompe – « U » inversé en plomberie), lesquels peuvent emprisonner l'air.
3. La tuyauterie doit être bien soutenue et non comprimée là où des pressions constantes seront exercées.
4. Toujours utiliser des robinets bien calibrés. Les inverseurs Zodiac® Jandy® et les clapets à billes Zodiac Jandy offrent un meilleur débit.
5. Utiliser le moins de raccords possibles. Chaque raccord ajouté a pour effet d'éloigner davantage l'équipement de l'eau.

**REMARQUE** Si plus de dix (10) raccords d'aspiration sont nécessaires, le diamètre de tuyau doit être augmenté.

### 3.3.6 Vérifier le débit d'eau

**REMARQUE** La pression de sortie de la pompe doit être d'au moins 45 psi. Une pression plus basse peut causer la surintensité du moteur.

Après avoir raccordé la plomberie du système, vérifier le débit d'eau vers la pompe de surpression en déconnectant la conduite d'alimentation de la pompe de surpression et en activant la pompe de filtration. L'eau devrait s'écouler de la conduite.

S'il n'y a pas de débit d'eau, vérifier ce qui suit :

1. Vérifier que l'installation est correcte. Se référer à la Figure 6.
2. Utiliser les raccords orientables plus petits dans les conduites de retour de la piscine ou raccorder une conduite de retour.

Lorsque le débit est présent, la pompe est prête à fonctionner.

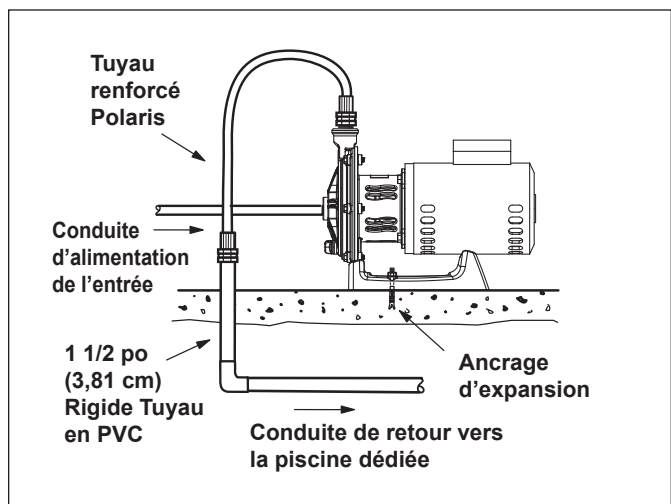


Figure 7. Compléter l'installation

### 3.3.7 Effectuer des tests de pression

#### AVERTISSEMENT

Lors de l'essai de pression d'un système à l'eau, de l'air est souvent piégé dans le système pendant le processus de remplissage. Cet air se comprime quand le système est sous pression. Si le système s'avère défaillant, cet air piégé peut propulser des débris à haute vitesse et causer des blessures. Aucun effort ne doit être ménagé pour enlever l'air piégé, y compris l'ouverture du robinet de purge du filtre et le desserrage du couvercle du panier-filtre de la pompe de filtration pendant le remplissage de la pompe.

#### AVERTISSEMENT

L'air emprisonné dans le système peut provoquer l'ouverture par soufflage du couvercle du filtre et entraîner la mort, de graves blessures corporelles ou des dommages matériels. Avant d'utiliser le système, s'assurer que tout l'air soit bien expulsé. **NE PAS UTILISER DE L'AIR COMPRIMÉ POUR FAIRE L'ESSAI DE PRESSION OU VÉRIFIER S'IL Y A DES FUITES.**

#### AVERTISSEMENT

Lors de l'essai de pression d'un système à l'eau, il est très important de s'assurer que le couvercle du panier-filtre de la pompe de filtration est complètement fixé.

#### AVERTISSEMENT

Ne pas faire d'essai de pression au-delà de 2,4 bars (35 psi). L'essai de pression doit être fait par un professionnel qualifié en piscine. L'équipement de circulation qui n'est pas testé convenablement peut ne pas fonctionner, ce qui pourrait entraîner de graves blessures ou des dommages matériels.

1. Remplir le système d'eau en faisant attention de bien expulser l'air emprisonné.
2. Pressuriser le système d'eau à 2,4 bars (35 psi) au maximum.
3. Fermer le robinet pour emprisonner l'eau sous pression dans le système.
4. Observer le système pour la présence de fuites ou de chutes de pression.
5. Pour le soutien technique, composer le 1 800 822.7933.

## Section 4. Fonctionnement

### 4.1 Démarrage

#### **ATTENTION**

Ne jamais actionner la pompe de surpression sans eau. Faire fonctionner la pompe « à sec », quelle que soit la durée, peut causer d'importants dommages à la pompe et au moteur et annuler la garantie.

#### **ATTENTION**

Ne jamais utiliser la pompe de surpression lorsque le nettoyeur n'est pas branché. Faire fonctionner la pompe sans le nettoyeur causera des dommages à la turbine et annulera la garantie.

S'il s'agit d'une nouvelle installation de piscine, s'assurer que toute la tuyauterie est dépourvue de débris de construction et que l'essai de pression a été effectué correctement. L'installation du filtre devrait être vérifiée, en s'assurant que toutes les connexions et les attaches sont sécurisées conformément aux recommandations du fabricant.

#### AVERTISSEMENT

Pour éviter tout risque de dommage ou de blessure, vérifier que l'alimentation électrique est coupée avant d'entamer cette procédure.

1. Activer la pompe de filtration.
2. Ouvrir la soupape de décharge du filtre pour décharger la pression du système jusqu'à ce que l'eau s'écoule.
3. Si la pompe de filtration se situe sous le niveau de l'eau de la piscine, l'ouverture du détendeur de pression causera l'injection de l'eau dans la pompe.
4. Une fois que le filtre a été purgé d'air, fermer la soupape de décharge.
5. Mettre la pompe à surpression sous tension. Puis, activer la pompe à surpression.
6. La pompe à surpression devrait s'amorcer. Le temps d'amorçage dépendra de l'élévation et de la longueur des tuyaux utilisés pour le tuyau d'alimentation par aspiration. Voir *section 3.3.6* pour une bonne élévation et la taille adéquate de tuyau.
7. Si la pompe à surpression ne s'amorce pas malgré le fait d'avoir suivi toutes les instructions, vérifier s'il n'y a pas une fuite d'aspiration.

## Section 5. Entretien

### 5.1 Hivernage de la pompe

#### ATTENTION

La pompe doit être protégée lorsque des températures glaciales sont prévues. Laisser la pompe geler l'endommagera gravement et annulera la garantie.

#### ATTENTION

**Ne pas utiliser d'antigel dans les systèmes de piscine, de spa ou de jacuzzi!** Les antigels sont hautement toxiques et peuvent endommager le système de circulation. La seule exception est le propylène glycol. Pour plus d'information, se référer au fournisseur local de piscine ou de spa ou contacter une société agréée de services de piscine.

1. Drainer toute l'eau de la pompe, de l'équipement du système et de la tuyauterie.
2. Retirer le bouchon de vidange. Entreposer le bouchon de vidange en lieu sûr et le réinstaller une fois la saison froide passée. **Prendre soin de ne pas perdre les joints toriques.** (Bouchon de vidange avec joint torique R0537000).
3. Garder le moteur sec et couvert.

**REMARQUE** Le fait de recouvrir la pompe avec du plastique entraînera de la condensation, et cette humidité endommagera la pompe. La meilleure façon de protéger votre pompe est de faire appel à un technicien qualifié ou à un électricien agréé pour déconnecter correctement le câblage électrique au niveau de la boîte de commutation ou de jonction. Dès que l'alimentation est coupée, les deux (2) raccords-unions peuvent être desserrés, et la pompe rangée à l'intérieur. Pour des raisons de sécurité et pour empêcher la pénétration de contaminants, replacer tous les couvercles de boîtes de dérivations et de connexions.

4. Quand le système est fonctionnel à nouveau, s'assurer que toute la tuyauterie, les robinets, le câblage et l'équipement sont conformes aux recommandations du fabricant. Faire particulièrement attention au filtre et aux connexions électriques.
5. La pompe doit être amorcée avant le démarrage; Se référer à la *section 4.1, Démarrage*.



## Section 6. Dépannage et réparation

Zodiac recommande fortement d'appeler un technicien en entretien et en réparation agréé et qualifié pour effectuer toute réparation sur le système de filtre et la pompe. Pour trouver une entreprise d'entretien et de réparation indépendante, consulter l'annuaire commercial local ou visiter : [www.zodiacpoolsystems.com](http://www.zodiacpoolsystems.com).

### 6.1 Dépannage

SYMPTÔME	Problème ou solution possible
Le système de circulation ou de nettoyage ne fonctionne pas bien.	<p>Vérifier que les paniers d'écumoirs, les paniers-filtres et autres tamis sont propres. Nettoyer au besoin.</p> <p>Vérifier le filtre et nettoyer au besoin.</p> <p>Vérifier les positions des robinets. Ajuster au besoin.</p> <p><b>REMARQUE</b> De multiples parties d'équipement fonctionnant en même temps (par exemple, chutes d'eau, jets de spa et retours de surface) peuvent entraver le bon fonctionnement du système de nettoyage.</p> <p>Vérifier le système de nettoyage manuellement pour s'assurer que le système est réglé conformément aux recommandations du fabricant.</p>
Des bulles apparaissent dans le panier-filtre de la pompe de filtration.	<p>Présence d'air dans le système. Vérifier le niveau d'eau de la piscine ou du spa pour s'assurer qu'il est approprié et que l'air n'est pas aspiré dans la tuyauterie. Si l'eau est à un niveau normal, arrêter la pompe. Enlever le couvercle et vérifier qu'il n'y a pas de débris autour du siège du joint torique du couvercle ou que l'installation du joint d'étanchéité du couvercle soit adéquate, car sinon cela causera des fuites d'air dans le système. Nettoyer le joint torique d'étanchéité et le placer sur le couvercle. Serrer à la main le couvercle pour une fermeture étanche à l'air. <b>Ne pas utiliser d'outils pour serrer le couvercle.</b> Redémarrer la pompe.</p>
Les fuites d'air sont encore présentes.	<p>Vérifier le raccord-union du côté de la tuyauterie d'aspiration. Pendant que la pompe fonctionne, essayer de serrer le raccord-union. Si cela n'arrête pas la fuite d'air, couper l'alimentation de la pompe. Desserrer les deux raccords-unions et glisser la pompe pour l'éloigner de son emplacement. Enlever, nettoyer et remettre à la fois les raccords-unions et les joints toriques sur la pompe de filtration.</p> <p>Repositionner la pompe près de la tuyauterie et fixer solidement les boulons de raccord-union à la pompe. À l'aide de raccords-unions et de joints toriques propres, le serrage des raccords-unions devrait sceller le tout. Si les raccords-unions ne scellent pas, serrer délicatement avec une grande paire de pince multiprise.</p> <p><b>Ne serrer pas plus qu'il ne faut.</b></p>
Il n'y a pas d'air dans le système, mais la pression est encore faible.	<p>Il est possible que des débris soient coincés dans la turbine de la pompe. La turbine de la pompe déplace l'eau, et les pales de la turbine peuvent être bloquées par des débris. Voir <i>section 6.2 : Entretien par un technicien en entretien et en réparation, 6.2.1, Turbine bloquée</i>, pour plus d'informations.</p>
Il n'y a pas de débris bloquant la turbine et la pression est toujours faible.	<p>La turbine de la pompe présente des signes d'usure normale. Faire vérifier et remplacer au besoin la turbine par un technicien en entretien et en réparation agréé.</p> <p>Si la pompe fait partie d'une installation relativement nouvelle, cela pourrait être un problème électrique. Communiquer avec un technicien en entretien et en réparation agréé. Faire vérifier par un technicien que des connexions électriques ne soient pas lâches et qu'il examine la tension du moteur de la pompe en fonctionnement. La tension doit être celle indiquée sur la plaque d'identification du moteur, à 10 % près. Si la tension n'est pas à 10 % près, communiquer avec un électricien agréé ou le fournisseur local en électricité.</p> <p>Le joint d'étanchéité de la pompe a une fuite d'air. Faire remplacer le joint d'étanchéité par un technicien en entretien et en réparation agréé.</p>
La pompe a une fuite d'eau entre le moteur et le corps de la pompe.	<p>Elle est causée par une garniture mécanique endommagée ou défectueuse. Remplacer la garniture mécanique. Voir <i>section 6.2 : Entretien par un technicien en entretien et en réparation, 6.2.4, Remplacement du joint de la garniture mécanique</i>.</p>
La pompe s'échauffe et s'éteint périodiquement.	<p>S'assurer qu'il y a assez d'espace autour du moteur pour la circulation d'air afin de maintenir le moteur à basse température. Faire vérifier par un technicien agréé que des connexions ne soient pas lâches et qu'il examine la tension du moteur de la pompe en fonctionnement. La tension doit être celle indiquée sur la plaque d'identification du moteur, à 10 % près. Si la tension n'est pas à 10 % près, communiquer avec un électricien agréé ou le fournisseur local en électricité.</p>

## 6.2 Maintenance par un technicien en entretien et en réparation

### **⚠ AVERTISSEMENT**

Cette pompe doit être entretenue par un technicien professionnel d'entretien agréé pour l'installation de piscines ou de spas. Les procédures suivantes doivent être scrupuleusement suivies. Une installation ou utilisation incorrecte peut causer de dangereux risques électriques pouvant provoquer la circulation d'une haute tension dans le système. Cela peut causer des dommages matériels, un danger de blessures graves ou la mort. L'installation ou l'utilisation inappropriée annuleront la garantie.

#### 6.2.1 Turbine bloquée

### **⚠ AVERTISSEMENT**

Au cours de l'entretien de la pompe, éteindre les disjoncteurs au niveau de l'alimentation. Une blessure grave ou la mort peut survenir si la pompe démarre pendant que les mains se trouvent à l'intérieur.

1. Éteindre la pompe. Fermer le disjoncteur du moteur de la pompe.
2. Regarder à l'intérieur de la pompe pour des débris. Enlever tous les débris trouvés à l'intérieur.
3. Allumer le disjoncteur au moteur de la pompe.
4. Démarrer la pompe et observer si le problème est résolu.
5. Si la turbine est encore bloquée par les débris et qu'il est impossible de les enlever, la pompe devra être démontée pour accéder aux orifices d'entrée et de sortie de la turbine.

#### 6.2.2 Retrait de la turbine

### **⚠ AVERTISSEMENT**

Au cours de l'entretien de la pompe, éteindre les disjoncteurs au niveau de l'alimentation. Une blessure grave ou la mort peut survenir si la pompe démarre pendant que les mains se trouvent à l'intérieur.

1. Éteindre la pompe. Fermer le disjoncteur du moteur de la pompe. Si le moteur n'est pas remplacé, ne pas déconnecter le câblage électrique.

**REMARQUE** S'il s'agit d'un remplacement du moteur, Zodiac recommande fortement qu'un technicien en entretien et en réparation ou un électricien agréé déconnecte correctement le câblage électrique du moteur de la pompe.

2. Fermer tous les robinets pour empêcher l'eau de la piscine d'atteindre la pompe. Drainer l'eau de la pompe en desserrant les raccords-unions ou en retirant les bouchons de vidange.

3. À l'aide d'une clé de 14 mm (9/16 po), desserrer les boulons reliant la volute de la pompe à la plaque arrière du moteur. Voir la Figure 8.

4. Enlever la volute de la plaque arrière. La turbine est connectée à l'arbre du moteur.

**REMARQUE** À ce stade, il est possible d'accéder aux orifices d'entrée et de sortie de la turbine afin d'enlever les débris.

5. Enlever le couvercle de l'arbre du moteur à l'arrière de ce dernier en dévissant la vis à tête hexagonale à l'aide d'une clé à molette de 90°. Voir la Figure 8. L'arbre du moteur sera visible.

6. Tenir l'arbre du moteur à l'aide d'une clé de 13 mm (½ po) en dévissant à la main la turbine de l'arbre du moteur.

**REMARQUE** La turbine a un filetage à droite, tourner dans le sens antihoraire pour desserrer.

7. Inspecter la turbine pour la présence de frottement ou de dommage.

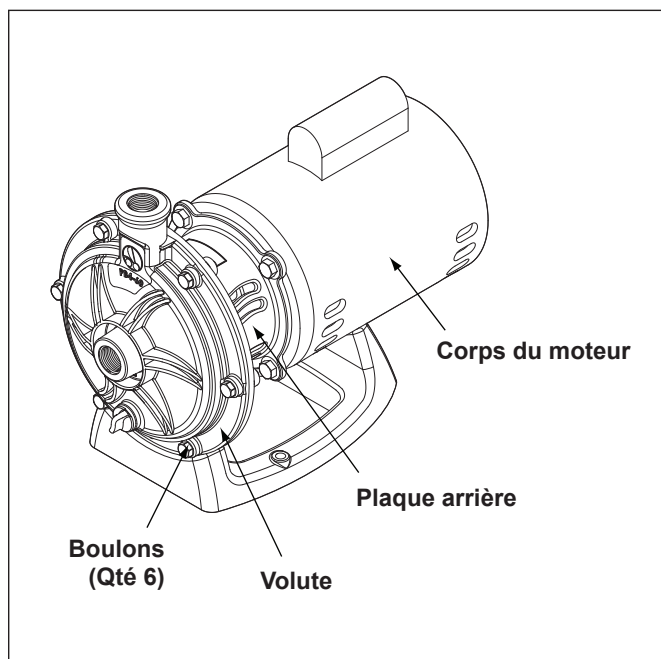


Figure 8. Retirer la volute de la pompe

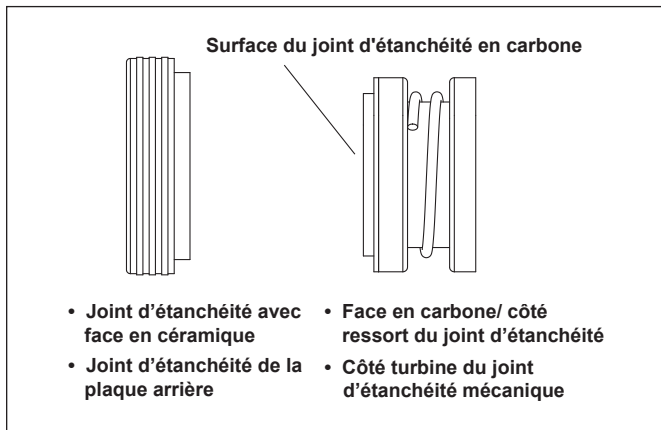


Figure 9. Remplacer la garniture mécanique

### 6.2.3 Remplacement de la turbine

- Appuyer sur la moitié du nouveau joint mécanique en carbone (voir la Figure 9) contre l'arbre du moteur en effectuant un mouvement de torsion. S'assurer que la surface de carbone est exposée face à l'anneau en céramique dans la plaque arrière.

## ATTENTION

**Très important!** Tenir la base inférieure du joint (opposée à la face en carbone) en installant le joint d'étanchéité sinon il sera endommagé.

**REMARQUE** Pour aider au montage, seule l'eau et une solution savonneuse peuvent servir de lubrifiants. **Tout autre lubrifiant détruira le joint après un certain temps.**

**REMARQUE** Un grand soin doit être apporté à la propreté du joint d'étanchéité et des pièces en contact.

- En tenant l'arbre du moteur à l'aide d'une clé de 13 mm ( $\frac{1}{2}$  po), introduire la turbine dans l'arbre du moteur. Serrer la turbine à la main jusqu'à ce qu'elle soit solidement fixée. **Ne pas trop serrer.**
- Replacer le couvercle de l'arbre du moteur en insérant les languettes dans les fentes et en tournant le couvercle à 90° dans le sens horaire.
- Serrer légèrement les vis en diagonale en se servant d'une clé de 14 mm (9/16 po), en commençant avec les quatre (4) du milieu, puis les quatre (4) de l'extérieur (du haut et de la base) pour appuyer uniformément la plaque arrière contre le corps. Dès que toutes les vis sont ajustées, serrer selon le même ordre avec un couple de 18 pi-lb.
- Ouvrir la soupape régulatrice de pression sur le filtre et s'assurer qu'elle est propre et prête à fonctionner.
- Allumer le disjoncteur au moteur de la pompe.
- Démarrer la pompe et vérifier si le système fonctionne normalement.
- Une fois que le filtre a été purgé d'air, fermer la soupape régulatrice de pression.

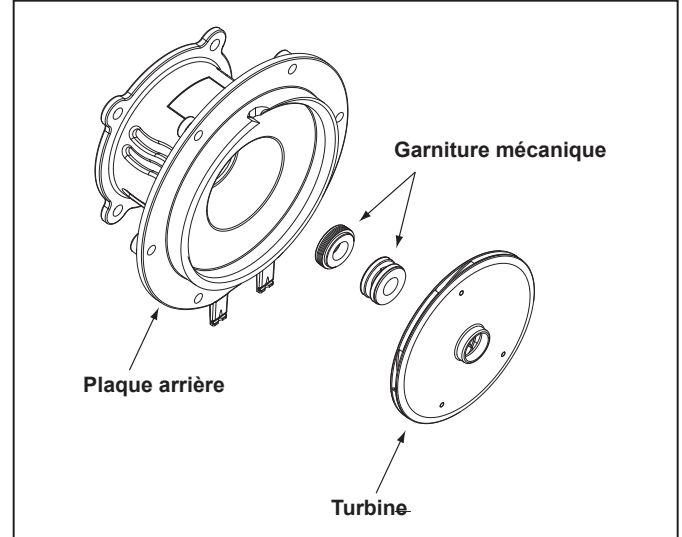


Figure 10. Emplacement de la plaque arrière, de la turbine et de la garniture mécanique

### 6.2.4 Remplacement de la garniture mécanique

**REMARQUE** Il s'agit d'un processus de remplacement en deux (2) étapes. **La garniture mécanique au complet doit être remplacée.**

**REMARQUE** Consulter la Figure 10 pour une illustration de l'emplacement de la garniture mécanique et de la turbine.

## AVERTISSEMENT

Ne pas endommager les surfaces en céramique ou en carbone des joints d'étanchéité. Si les surfaces sont endommagées, des fuites apparaîtront.

- Pour accéder à la garniture mécanique, suivre les étapes de 1 à 6 de la section 6.2.2, *Retrait de la turbine*.
- Enlever la moitié du joint mécanique en carbone de l'arbre du moteur. Se référer à la Figure 9. Il s'agit d'un joint à ressort. Tenir la partie du joint d'étanchéité la plus proche de la turbine et retirer le joint en effectuant un mouvement de torsion.
- Retirer le moteur de la plaque arrière en suivant les étapes de la section 6.2.5 : *Remplacement du moteur*.
- Placer le joint torique de la plaque arrière avec la face vers le sol et retirer avec force le joint d'étanchéité en céramique à l'aide d'un tournevis ou d'une cheville d'assemblage.
- Tourner le joint torique de la plaque arrière vers le haut et insérer le nouveau joint d'étanchéité en céramique dans la plaque. Aligner soigneusement le joint en pressant avec les doigts. La céramique s'endommage facilement et doit donc être appuyée uniquement avec les doigts ou des outils mous. Ne pas utiliser de lubrifiant autre que de l'eau et une solution savonneuse.
- Installer le moteur en suivant les étapes de la section 6.2.5 : *Remplacement du moteur*.
- Installer la plaque arrière en suivant les étapes de la section 6.2.3 : *Remplacement de la turbine*.

### 6.2.5 Remplacement du moteur

## ATTENTION

Pour assurer une sécurité permanente et un fonctionnement fiable, Zodiac Pool System requiert, le cas échéant, le remplacement du moteur par un autre de puissance (HP) et de facteur de service (agréé par Jandy uniquement) identiques.

## ⚠ AVERTISSEMENT

Pour éviter le risque des dommages matériels, des blessures graves ou de mort, éteindre la pompe et couper le disjoncteur du moteur de la pompe avant de suivre cette procédure.

1. Faire appel à un technicien en entretien et en réparation ou à un électricien agréé pour déconnecter adéquatement le câblage électrique au moteur de la pompe.
2. Pour démonter la volute de la pompe du moteur, suivre les étapes de 1 à 6 de la *section 6.2.2, Retrait de la turbine*.
3. Enlever les quatre (4) vis de 9/16 po et retirer le moteur.

**REMARQUE** Avant d'enlever la plaque arrière, noter l'alignement de la plaque arrière du moteur. L'étiquette est orientée vers le haut. Voir figure 11.

4. S'il s'agit de l'installation d'un nouveau moteur, enlever le capuchon protecteur en plastique de l'arbre du moteur. Placer le moteur sur la plaque arrière. L'étiquette doit être orientée vers le haut. Le condensateur de démarrage du moteur devrait être à la position de 12 heures.

5. Remettre les quatre (4) boulons et rondelles en tenant en place la plaque arrière et le moteur.
6. Pour rassembler la pompe après le remplacement du moteur, suivre les étapes de 1 à 9 de la *section 6.2.3, Remplacement de la turbine*.
7. Faire appel à un technicien en entretien et en réparation ou à un électricien agréé pour connecter le câblage électrique adéquatement au moteur de la pompe.

**REMARQUE** Zodiac Pool Systems, Inc. recommande que les garnitures mécaniques soient remplacées en même temps que le remplacement du moteur. Voir *section 6.2.4, Remplacement de la garniture mécanique*, pour plus de détails.

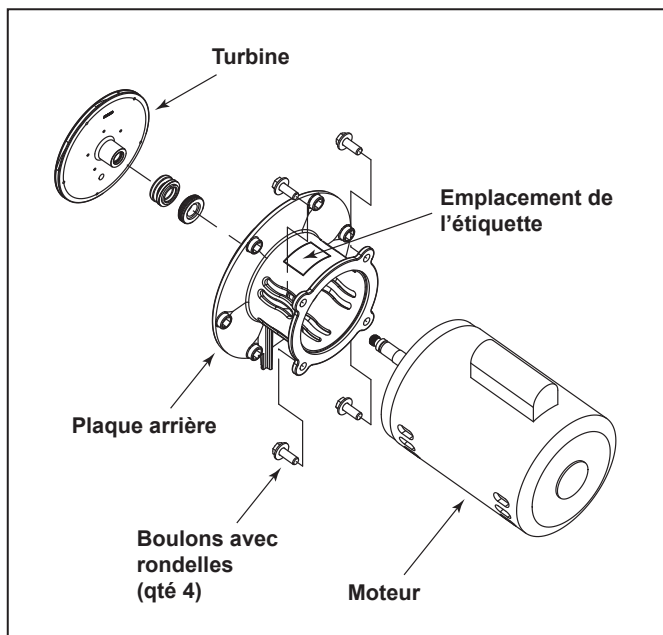


Figure 10. Enlever la plaque arrière

## Section 7. Caractéristiques du produit et données techniques

### 7.1 Liste des pièces de rechange

Pour commander ou acheter des pièces pour les pompes Zodiac®, veuillez communiquer avec votre concessionnaire Zodiac le plus près. Si vous ne trouvez pas ce dont vous avez besoin, contactez le soutien technique de Zodiac au 1 800 822.7933 ou consultez le site [www.zodiacpoolsystems.com](http://www.zodiacpoolsystems.com).

Clé No	DESCRIPTION	Qté	Numéro de la pièce commandée
1	Moteur, ¼ HP, arbre fileté, 60 Hz	1	P61
2	Joint torique, plaque arrière, PB4-60	1	R0536600
3	Joint d'étanchéité, céramique et ressort	1	R0445500
4	Turbine, PB4-60	1	R0536400
5	Volute, PB4-60 (inclut bouchon de vidange et joint torique)	1	R0536300
6	Boulons avec rondelles et écrous	6	R0536900
7	Bouchon de vidange avec joint torique, commun	1	R0537000
8	Base, surpresseur, PB4-60	1	R0537100
9	Boulons et rondelles, inoxydables, moteur, PB4-60	4	R0536800
10	Ensemble d'installation, raccord rapide Softube®	1	P17
11	Tuyau de pompe, 6 pi, flexible renforcé	1	P19
12	Raccord rapide Softube avec dispositifs de retenue	4	P133
13	Bague de retenue à raccord rapide pour la pompe	4	P21
14	Plaque arrière, PB4-60	1	R0536700

### 7.2 Vue éclatée de la pompe de surpression Polaris PB4-60.

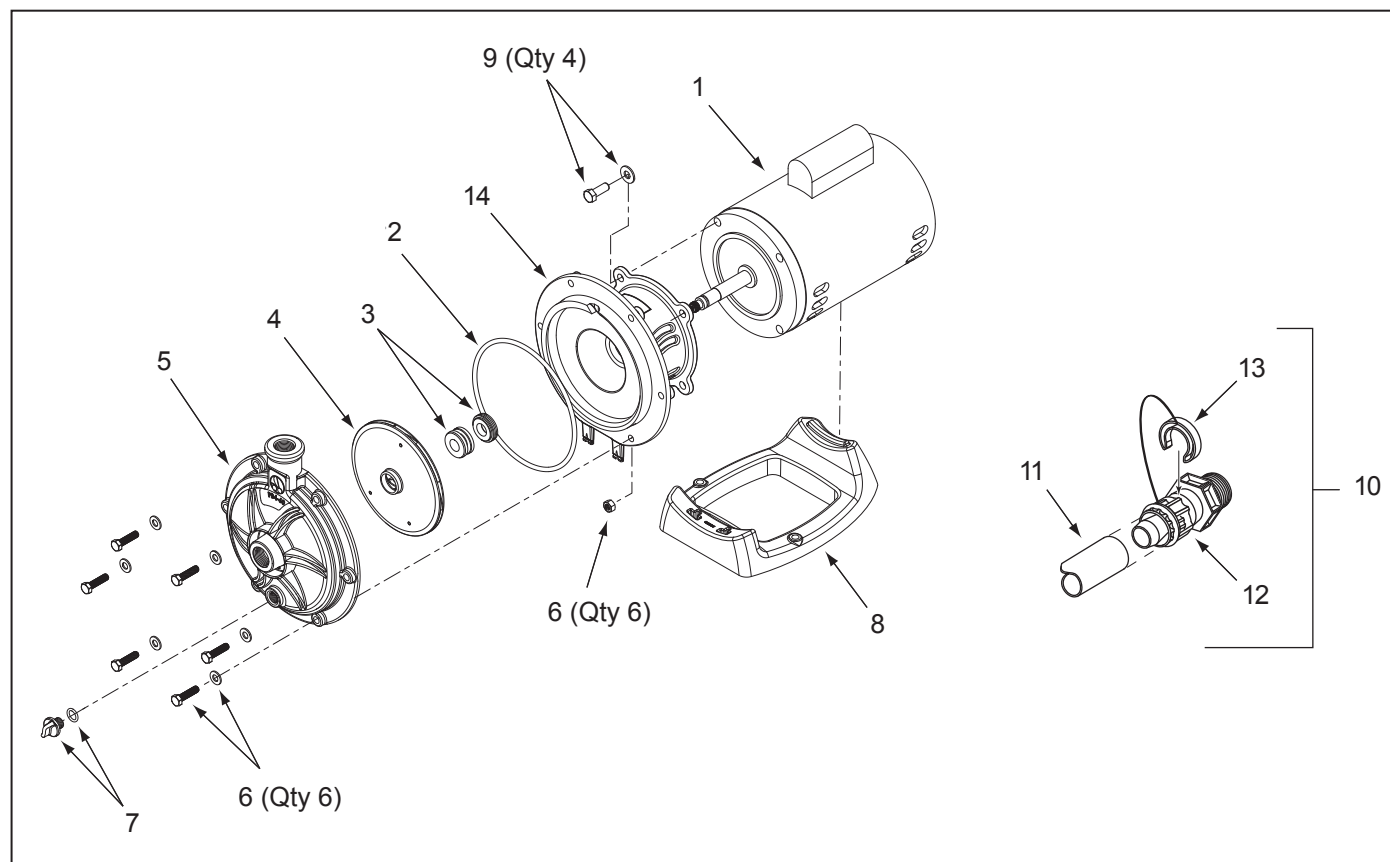


Figure 11. Vue éclatée de la pompe de surpression Polaris PB4-60.

## 7.3 Dimensions des pompes

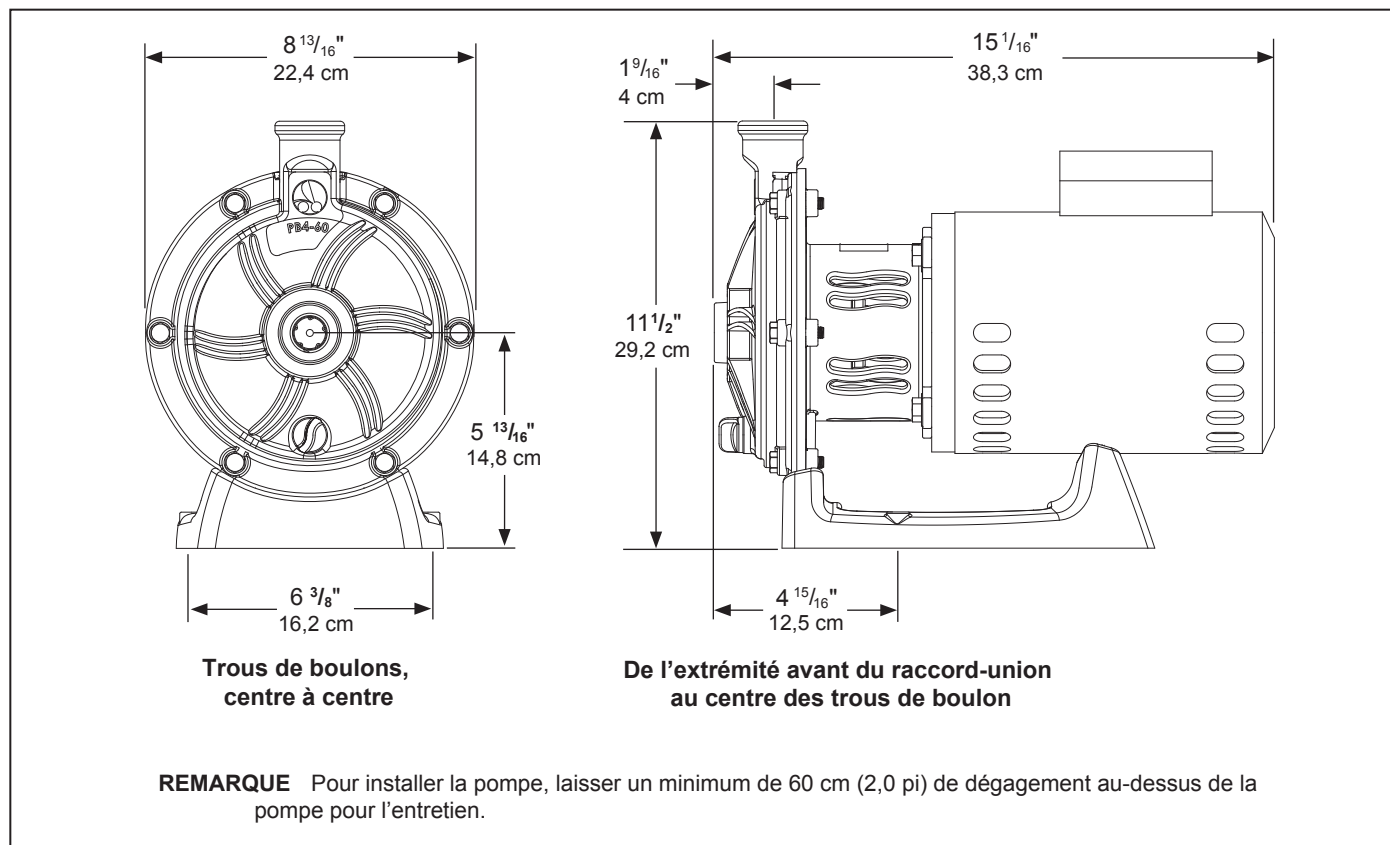


Figure 12. Dimensions des pompe de surpression Polaris PB4-60

## 7.4 Identification visuelle de la nouvelle pompe de surpression Polaris PB4-60



Pour les pompes de surpression Polaris PB4-60 dont les numéros de série commencent par « PB », fabriquées le 1er décembre 2011 ou postérieurement.

Figure 13. Nouvelle pompe de surpression Polaris PB4-60



Les anciens modèles des pompes de surpression PB4-60 dont la production a cessé le 30 novembre 2011.

Figure 14. Ancien modèle de fin de série de la pompe de surpression PB4-60

**Zodiac Pool Systems Canada, Inc.**

2115 South Service Road West, Unit 3  
Oakville, ON L6L 5W2

1.888.647.4004 | [www.ZodiacPoolSystems.ca](http://www.ZodiacPoolSystems.ca)

**Zodiac Pool Systems, Inc.**

2620 Commerce Way, Vista, California 92081 USA

1.800.822.7933 | [www.ZodiacPoolSystems.com](http://www.ZodiacPoolSystems.com)

*ZODIAC® est une marque déposée de Zodiac International, S.A.S.U., utilisée sous licence. Toutes les marques de commerce citées en référence dans ce document appartiennent à leurs propriétaires respectifs.*

© 2011 Zodiac Pool Systems, Inc. H0344400 Rév. A 1110





# Polaris® PB4-60

## Bomba reforzadora del limpiador a presión

## Manual de instalación y funcionamiento



Para bombas reforzadoras Polaris PN4-60 con números de serie que comienzan con "PB" y con fecha de fabricación a partir del 1º de diciembre de 2011.

### **ADVERTENCIA**

**PARA SU SEGURIDAD** - Este producto debe ser instalado y mantenido por un contratista con licencia y calificaciones para equipos para piscinas otorgadas por la jurisdicción donde se instalará el producto en caso de que existan tales requisitos estatales o locales. En caso de que no existan tales requisitos estatales o locales, la persona que realiza el mantenimiento debe ser un profesional con experiencia suficiente en la instalación y mantenimiento de equipos para piscinas de tal forma que pueda seguir al pie de la letra las instrucciones de este manual. La instalación o el funcionamiento inadecuados pueden crear riesgos eléctricos peligrosos, que pueden causar altas tensiones a través del sistema eléctrico. Antes de instalar este producto, lea y siga todas las instrucciones y preste atención a las advertencias en el manual adjunto. No prestar la debida atención a las advertencias e instrucciones puede ocasionar daños a la propiedad, lesiones personales e incluso la muerte. La instalación y la operación incorrectas será causa de anulación de la garantía.

En caso de no seguir las instrucciones al pie de la letra, se puede producir un incendio o una explosión que puede causar daños a la propiedad, lesiones personales o incluso la muerte.



**ATENCIÓN INSTALADOR:** Este manual contiene información importante acerca de la instalación, el funcionamiento y la utilización seguros de este producto. Esta información debe ser entregada al dueño u operador de este equipo.



## Índice

<b>Sección 1. IMPORTANTES INSTRUCCIONES DE SEGURIDAD .....</b>	<b>44</b>	<b>Sección 4. Operación .....</b>	<b>51</b>
1.1 Instrucciones de seguridad .....	44	4.1 Puesta en marcha.....	51
1.2 Pautas de prevención de atrapamiento por succión de la bomba de la piscina.....	46	<b>Sección 5. Mantenimiento.....</b>	<b>52</b>
<b>Sección 2. Descripción General.....</b>	<b>47</b>	5.1 Preparación de la bomba para el invierno .....	52
2.1 Introducción .....	47	<b>Sección 6. Localización de averías y reparación .....</b>	<b>53</b>
2.2 Descripción .....	47	6.1 Diagnóstico y solución de problemas .....	53
2.3 Preparación .....	47	6.2 Servicio de mantenimiento con técnico .....	54
<b>Sección 3. Instalación .....</b>	<b>47</b>	6.2.1 Impulsor bloqueado .....	54
3.1 Instalación eléctrica .....	47	6.2.2 Extracción del impulsor .....	54
3.1.1 Chequeos de voltaje .....	47	6.2.3 Reemplazo del impulsor .....	55
3.1.2 Interconectar cables y conectar a tierra .....	47	6.2.4 Reemplazo del sello mecánico.....	55
3.2 Eléctrico .....	47	6.2.5 Reemplazo del motor .....	56
3.2.1 Cableado eléctrico.....	47	<b>Sección 7. Especificaciones del producto y datos técnicos.....</b>	<b>57</b>
3.3 Plomería .....	48	7.1 Lista de piezas de repuesto .....	57
3.3.1 Requisitos.....	48	7.2 Plano de despiece de la bomba reforzadora Polaris PB4-60.....	57
3.3.2 Dimensiones de la tubería.....	49	7.3 Dimensiones de la bomba .....	58
3.3.3 Ubicación de la bomba .....	49	7.4 Identificación visual de la nueva bomba reforzadora Polaris PB4-60 .....	59
3.3.4 Instalación de la bomba.....	50		
3.3.5 Recomendaciones de instalación.....	50		
3.3.6 Revisar el flujo de agua .....	50		
3.3.7 Realizar prueba de presión .....	51		

### REGISTRO DE INFORMACIÓN DEL EQUIPO

FECHA DE INSTALACIÓN \_\_\_\_\_

Información del instalador \_\_\_\_\_

LECTURA INICIAL DEL MEDIDOR DE PRESIÓN (CON EL FILTRO LIMPIO) \_\_\_\_\_

MODELO DE BOMBA \_\_\_\_\_

CABALLO DE FUERZA \_\_\_\_\_

NOTAS:

\_\_\_\_\_

\_\_\_\_\_

\_\_\_\_\_

# Sección 1. IMPORTANTES INSTRUCCIONES DE SEGURIDAD

## LEA Y SIGA ESTAS INSTRUCCIONES

### 1.1 Instrucciones de seguridad

Todo el trabajo de electricidad deberá realizarlo un electricista certificado de conformidad con todos los códigos nacionales, estatales y regionales. Cuando se instale y utilice este equipo eléctrico, siempre se deberán seguir las siguientes precauciones básicas de seguridad:

#### ADVERTENCIA

Para reducir el riesgo de lesión, no permita que los niños usen este artefacto.

#### ADVERTENCIA

Para reducir el riesgo de daños materiales o lesiones, no intente cambiar la posición de la válvula de retro lavado (multipuerto, deslizamiento o flujo completo) con la bomba en funcionamiento.

#### ADVERTENCIA

Las bombas Zodiac® son accionadas por un motor eléctrico de alta tensión y deben ser instaladas por un electricista con licencia (o certificado) o por un técnico que esté calificado en servicio de piscinas.

#### ADVERTENCIA

**RIESGO DE DESCARGA ELÉCTRICA, DE INCENDIO, LESIONES PERSONALES O DE MUERTE.** Conectar solamente a una rama del circuito que esté protegida por un interruptor de circuito por falla a tierra (GFCI). Contacte a un electricista autorizado si usted no puede asegurarse de que el circuito esté protegido por un GFCI. Asegúrese de que el instalador proporcione un GFCI y que sea probado de manera rutinaria. Para probar el GFCI, presione el botón de prueba. El GFCI debe interrumpir la energía. Presione el botón de reinicio. Se debe restablecer la energía. Si el GFCI no funciona de esta forma, quiere decir que está defectuoso. Si el GFCI interrumpe la energía a la bomba sin presionar el botón de prueba, quiere decir que fluye corriente de tierra, lo que indica la posibilidad de una descarga eléctrica. No utilice la bomba. Desconéctela y solicite a un representante de servicio calificado que solucione el problema antes de utilizarla.

Debido al riesgo potencial de incendio, choque eléctrico o lesiones a las personas, las bombas Zodiac se deben instalar de acuerdo con el Código Eléctrico Nacional (NEC®) de EE. UU., todos los códigos locales eléctricos y de seguridad, y la Ley de Seguridad y Salud Ocupacionales (OSHA®). Las copias del NEC pueden solicitarse a la National Fire Protection Association (NFPA®) en el sitio web [www.nfpa.org](http://www.nfpa.org) o llamando al 617-770-3000 o comunicándose con el organismo de inspecciones gubernamentales de su localidad.

#### ADVERTENCIA

Los equipos instalados incorrectamente pueden fallar y causar lesiones graves o daños materiales.

#### ADVERTENCIA

- No conecte el sistema a una red de agua no regulada de la ciudad, o a otra fuente externa de agua presurizada que produzca presiones mayores a 35 psi.
- Arrancar la bomba cuando hay aire comprimido en el sistema puede hacer que la tapa del filtro salga expulsada, lo que puede causar serias lesiones e incluso la muerte o daños a la propiedad. Antes de operar asegúrese de que todo el aire del sistema haya salido.

## ADVERTENCIA

Para minimizar el riesgo de muerte o graves lesiones, el filtro y/o la bomba no deben someterse a la prueba de presurización del sistema de tuberías.

Las normas locales pueden requerir que el sistema de tuberías de la piscina sea sometido a una prueba de presión. Por lo general, estos requisitos no tienen la intención de aplicarse a equipos de la piscina, tales como filtros y bombas.

Los equipos de piscina Zodiac® se prueban por presión en la fábrica.

Sin embargo, si la ADVERTENCIA no se puede observar y las pruebas de presión del sistema de tuberías deben incluir el filtro y/o la bomba, ASEGÚRESE DE CUMPLIR CON LAS SIGUIENTES INSTRUCCIONES DE SEGURIDAD:

- Compruebe que todas las abrazaderas, pernos, tapas, anillos de bloqueo, y accesorios del sistema estén correctamente instalados y asegurados antes de la prueba.
- LIBERE TODO EL AIRE en el sistema antes de la prueba.
- La presión del agua para la prueba no debe exceder 35 PSI.
- La temperatura del agua para la prueba no debe exceder 38°C.
- Limite la prueba a 24 hours. Después de la prueba, verifique visualmente el sistema para asegurarse de que esté listo para funcionar.

Aviso: Estos parámetros sólo se aplican a los equipos Zodiac. Para equipos de otras marcas que no sean Zodiac, consulte al fabricante correspondiente.

## ADVERTENCIA

Los derrames de productos químicos y los gases pueden debilitar los equipos de piscina. La corrosión puede producir fallas en los filtros y otros equipos, lo que podría resultar en lesiones graves o daños materiales. No almacene productos químicos para piscinas cerca de sus equipos.

## PRECAUCIÓN

¡No arranque la bomba en seco! El funcionamiento de la bomba en seco puede causar daños graves e invalidará la garantía.

## PRECAUCIÓN

Esta bomba es para uso en piscinas instaladas permanentemente y también se puede utilizar en tinas de hidromasaje y spas, si estuviera indicado en la documentación. No utilice en piscinas portátiles. La piscina permanente está construída dentro o sobre el suelo o en un edificio, de tal manera que no se puede desmontar fácilmente para su almacenamiento. La piscina portátil está construída de manera que puede ser fácilmente desmontada para su almacenamiento y volver a montarse en su estado original.

## PRECAUCIÓN

No la instale dentro de una protección al aire libre ni debajo de la falda de una tina de hidromasaje o un spa portátil. La bomba requiere una ventilación adecuada para mantener la temperatura del aire por debajo del rango de temperatura ambiente máxima que aparece en la placa del motor.

**GUARDE ESTAS INSTRUCCIONES**

## 1.2 Pautas de prevención de atrapamiento por succión de la bomba de la piscina

### ⚠ ADVERTENCIA

La succión de la bomba es peligrosa y puede atrapar, ahogar y desentrañar a los bañistas. No utilizar ni operar las piscinas, los spas ni las tinas de hidromasaje si una tapa de la boca de succión está ausente, rota o suelta. Las siguientes indicaciones proporcionan información para la instalación de la bomba minimizando el riesgo de lesiones para los usuarios de piscinas, spas y tinas de hidromasaje:

**Protección contra atrapamiento** - El sistema de succión de la bomba debe proporcionar protección contra los peligros de atrapamiento por succión.

**Tapas de las bocas de succión** - Todas las bocas de succión deben tener tapas instaladas correctamente y atornilladas en su lugar. Debe hacerse mantenimiento a todas las tapas de las bocas de succión. Las tapas de drenaje deben cumplir con la última edición de la norma ANSI®/ASME® A112.19.8. Deben reemplazarse si están agrietadas, rotas o ausentes.

**Número de las bocas de succión por bomba** – Deben proporcionarse al menos dos (2) drenajes principales hidráulicamente equilibrados, con sus tapas, como bocas de succión para cada línea de succión de la bomba de circulación. Los centros de los drenajes principales (bocas de succión) en una (1) línea de succión deben estar separados por lo menos tres (3) metros de distancia, de centro a centro. Véase Figura 1.

El sistema debe estar construido para incluir al menos dos (2) bocas de succión (drenajes) conectadas a la bomba siempre que la bomba esté funcionando. Sin embargo, si dos (2) colectores principales llegan a una sola línea de succión, esta línea de succión individual puede ser equipada con una válvula que cerrará los dos drenajes principales de la bomba. El sistema deberá ser construido de tal manera que no permita el cierre por separado o independiente (aislamiento) de cada uno de los drenajes. Véase Figura 1.

Se puede conectar más de una (1) bomba a una línea de succión única, siempre y cuando se cumplan los requisitos.

**Velocidad del agua** - La velocidad máxima del agua a través del accesorio de succión o la cubierta de cualquier boca de succión debe ser de 1.5 metros por segundo, a menos que la boca se ajuste a la última edición de la norma ANSI / ASME A112.19.8, la norma concerniente a accesorios de succión para el uso en piscinas de natación, piscinas de chapoteo, jacuzzis, spas y tinas de hidromasaje. En cualquier caso, no exceda la velocidad máxima de flujo del accesorio de succión.

Si el 100% del caudal de la bomba viene del sistema de drenaje principal, la velocidad máxima del agua en el sistema hidráulico de succión de la bomba debe ser de seis (6) metros por segundo o menos, incluso si uno (1) de los drenajes principales (boca de succión) está completamente bloqueado. El flujo a través de los drenajes principales restantes debe cumplir con la última edición de la norma ANSI/ASME A112.19.8, la norma concerniente a accesorios de succión para el uso en piscinas de natación, piscinas de chapoteo, jacuzzis, spas y tinas de hidromasaje.

**Pruebas y certificación** – Las tapas de la boca de succión deben haber sido probadas por un laboratorio de pruebas reconocido a nivel nacional y cumplir con la última edición de la norma ANSI/ASME A112.19.8, la norma concerniente a accesorios de succión para el uso en piscinas de natación, piscinas de chapoteo, jacuzzis, spas y tinas de hidromasaje.

**Accesorios – Accesorios de restricción de flujo;** para la mejor eficiencia posible utilizar la menor cantidad de accesorios (pero por lo menos dos (2) bocas de succión).

Evite accesorios que pudieran atrapar aire.

Las conexiones y accesorios de limpieza por succión deben ajustarse a las normas aplicables de la Association of Plumbing and Mechanical Officials (IAPMO®).

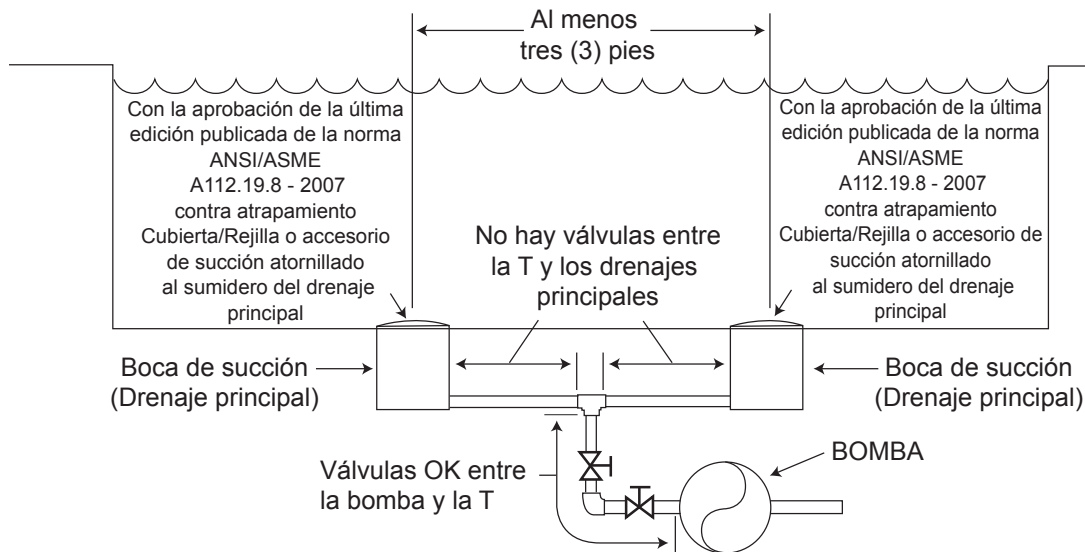


Figura 1. Número de bocas de succión por bomba

## Sección 2. Descripción General

### 2.1 Introducción

Este manual contiene información para la instalación, el funcionamiento y el mantenimiento adecuados de la bomba Polaris PB4-60. Los procedimientos indicados en este manual se deben seguir con exactitud. Para obtener copias adicionales de este manual, póngase en contacto con Zodiac Pool Systems, Inc. ("Zodiac") al 800.822.7933. Para mayor información de direcciones, consulte la contraportada de este manual.

### 2.2 Descripción

La bomba reforzadora Polaris, PB4-60, suministra agua a alta presión al limpiador de piscinas Polaris para optimizar su eficiencia. La bomba no se ceba automáticamente y sólo debe utilizarse cuando esté activada la bomba de filtrado de la piscina.

#### PRECAUCIÓN

Si la bomba reforzadora no se utiliza con una bomba de filtrado, la bomba reforzadora resultará dañada. La operación incorrecta de la bomba reforzadora anulará la garantía.

### 2.3 Preparación

1. Tras la recepción de la bomba, revise si la caja presenta daños. Abra la caja y revise si la bomba presenta daños ocultos, tales como grietas, abolladuras o la base doblada. Si encuentra algún daño, póngase en contacto con el proveedor de la bomba.
2. Inspeccione el contenido de la caja y verifique que estén todas las piezas. Consulte la sección 7.1, Lista de piezas de repuesto.

## Sección 3. Instalación

### 3.1 Instalación eléctrica

#### 3.1.1 Chequeos de voltaje

El voltaje correcto, como se especifica en la placa de la bomba, es necesario para un rendimiento adecuado y una larga vida del motor. Un voltaje incorrecto disminuirá el desempeño de la bomba y podría causar sobrecalentamiento, reduciendo la vida útil del motor y resultando en cuentas eléctricas más altas.

Es responsabilidad del instalador eléctrico proporcionar el voltaje de funcionamiento indicado en los datos de la placa la bomba, garantizando los tamaños adecuados de circuito y de cable para esta aplicación específica.

El Código Eléctrico Nacional (NEC®, NFPA-70®) de EE. UU. requiere que todos los circuitos de bomba de la piscina estén protegidos con un interruptor del circuito de fallos de conexión a tierra (GFCI). Por lo tanto, también es responsabilidad del instalador eléctrico asegurarse de que el circuito de la bomba esté en el cumplimiento de éste y todos los demás requisitos aplicables del Código Eléctrico Nacional (NEC) y otros códigos aplicables a la instalación.

#### PRECAUCIÓN

No proporcionar el voltaje indicado en placa (dentro de un 10%) durante la operación causará que el motor se sobrecaliente y anulará la garantía.

#### 3.1.2 Interconectar cables y conectar a tierra

1. La carcasa del motor debe estar conectada a tierra mediante una conexión a tierra fiable con un conductor de cobre sólido, N° 8 AWG (8.4 mm<sup>2</sup>) o uno más grande. En Canadá, debe utilizarse N° 6 AWG (13.3 mm<sup>2</sup>) o mayor. Si la bomba está instalada a no más de cinco (5) pies (1.5 metros) de las paredes interiores de la piscina, el spa o la tina de hidromasaje, la carcasa del motor debe estar interconectada con todas las partes metálicas de la estructura de la piscina, el spa o la tina de hidromasaje y con todas las tuberías de los equipos eléctricos, conductos de metal y tubos de metal a no más de cinco (5) pies (1.5 metros) de las paredes interiores de la piscina, el spa o la tina de hidromasaje.
2. Unir el motor utilizando el terminal de externo provisto.

#### ⚠ ADVERTENCIA

Con el fin de evitar el riesgo de daños a la propiedad, lesiones personales graves y/o muerte, siempre desconecte la fuente de alimentación eléctrica antes de trabajar en un motor o cualquier componente conectado a él.

#### ⚠ ADVERTENCIA

Con el fin de evitar el riesgo de daños a la propiedad, lesiones personales graves y/o muerte, asegúrese de que el interruptor de control o el reloj registrador estén instalados en un lugar accesible, de modo que en caso de una falla del equipo o de las tuberías, el equipo pueda ser fácilmente apagado. Este lugar debe ser un lugar distinto a donde se encuentra la bomba de la piscina, filtros y otros equipos.

#### PRECAUCIÓN

La bomba debe estar permanentemente conectada a un circuito eléctrico dedicado. Ningún otro equipo, luces, electrodomésticos, o tomas pueden estar conectados al circuito de la bomba, con la excepción de los productos que pueden ser necesarios para operar simultáneamente con la bomba, como un dispositivo de cloración o la calefacción.

### 3.2 Eléctrico

#### 3.2.1 Cableado eléctrico

1. El motor de la bomba debe ser puesto a tierra adecuadamente y de forma segura con el tornillo verde proporcionado. Complete el aterramiento antes de conectar al suministro de energía eléctrica. **No conecte a tierra en una tubería de suministro de gas.**
2. El tamaño del cable debe ser adecuado para minimizar la caída de tensión durante el arranque y funcionamiento de la bomba. Vea la Tabla 1 para conocer los tamaños de cable sugeridos.
3. Aísle todas las conexiones con cuidado para evitar cable a tierra o cortocircuitos. Los bordes afilados en los terminales

Tabla 1. Tamaño máximo del cable y protección contra sobrecorriente

TAMAÑO MÁXIMO DEL CABLE Y MÁXIMA PROTECCIÓN CONTRA SOBRECORRIENTE*								
Distancia desde el sub-tablero		De 0 a 50 pies (15 metros)		De 50 a 100 pies (de 15 a 30 metros)		De 100 a 200 pies (de 30 a 60 metros)		
Modelo de bomba	Clase de amperaje del fusible secundario: CC, G, H, J, K, RK o T		Voltaje		Voltaje		Voltaje	
	230 VAC	115 VCA	208-230 VAC	115 VCA	208-230 VAC	115 VCA	208-230 VAC	115 VCA
PB4-60	15A	20A	14 AWG (2,1mm <sup>2</sup> )	12 AWG (3,3mm <sup>2</sup> )	12 AWG (3,3mm <sup>2</sup> )	10 AWG (5,3mm <sup>2</sup> )	10 AWG (5,3mm <sup>2</sup> )	10 AWG (5,3mm <sup>2</sup> )

\*Asume tres (3) cables de cobre en un conducto enterrado y un máximo de 3% de pérdida de voltaje por rama del circuito. Deben seguirse todos los códigos eléctricos locales y los de la National Electrical Code (NEC®) de EE. UU. La tabla muestra el tamaño de cable mínimo y recomendaciones de fusibles secundarios para una instalación típica según el NEC.

requieren una protección extra. Para evitar que las tuercas de los cables se aflojen, séllelas con una cinta aisladora eléctrica adecuada que tenga una marca de aprobación reconocida (UL, ETL, CSA). Por razones de seguridad, y para evitar la entrada de contaminantes, reinstale todos los conductos y tapas de la caja de terminales. **No fuerce las conexiones en la caja de conexiones.**

- Para configurar el cableado interno del motor de la bomba en el voltaje correcto, consulte el diagrama que se encuentra en la placa de datos del motor.
- La corriente inicial del motor de la bomba reforzadora puede superar los 15 amp si se trabaja con una línea de voltaje de 115 VCA. Se recomienda utilizar un disyuntor de servicio de 20 amp para la bomba conectada a 115 VCA.
- El motor de la bomba reforzadora está cableado en fábrica para 230 voltios, pero puede cablearse para 115 o 230 voltios. Para realizar un nuevo cableado para 115 voltios, siga las instrucciones que se encuentran en la placa de identificación ubicada en la parte trasera del motor o en la placa de tamaños al lado del motor.
- Se recomienda el uso de un reloj registrador independiente (además del reloj registrador del sistema de filtrado) para controlar las funciones de encendido/apagado de la bomba reforzadora. También puede utilizarse un interruptor manual.
- Si se utiliza un reloj registrador, configúrelo para que encienda la bomba por lo menos media hora después de encender la bomba de filtrado de la piscina y para que apague la bomba por lo menos media hora antes de que se apague la bomba de filtrado. Revise periódicamente las configuraciones del reloj registrador para asegurarse de que estén sincronizadas correctamente.

### 3.3 Plomería

## PRECAUCIÓN

Tenga cuidado de no apretar demasiado ningún accesorio de los tubos ya sea en la entrada o la salida de la bomba reforzadora. Un apriete excesivo podría hacer que la carcasa resultara agrietada.

#### 3.3.1 Requisitos

La bomba reforzadora Polaris necesita una línea de retorno dedicada. Conecte la bomba reforzadora al sistema de manera tal que siempre reciba el flujo de la bomba de filtrado.

Para garantizar el funcionamiento correcto de la bomba y el limpiador, consulte la Figura 2 y observe las siguientes pautas para equipos específicos.

- Conecte la línea dedicada en sentido ascendente de todo el equipo con inducción de aire.
- Si hay un calentador instalado en el sistema, conecte la entrada de la bomba reforzadora en la línea de retorno en sentido descendente y por lo menos a tres (3) pies (1 metro) de la descarga del calentador. Véase Figura 2. No conecte la entrada de la bomba reforzadora en la sección de tres pies (1 metro) del tubo del disipador térmico que sale directamente del calentador.
- Algunos sistemas de calentamiento solar utilizan todo el flujo de agua cuando purgan el aire de los paneles. Si la bomba está instalada en una tubería sin flujo durante las purgas del panel solar, instale un mecanismo de desviación automática para apagar la bomba.

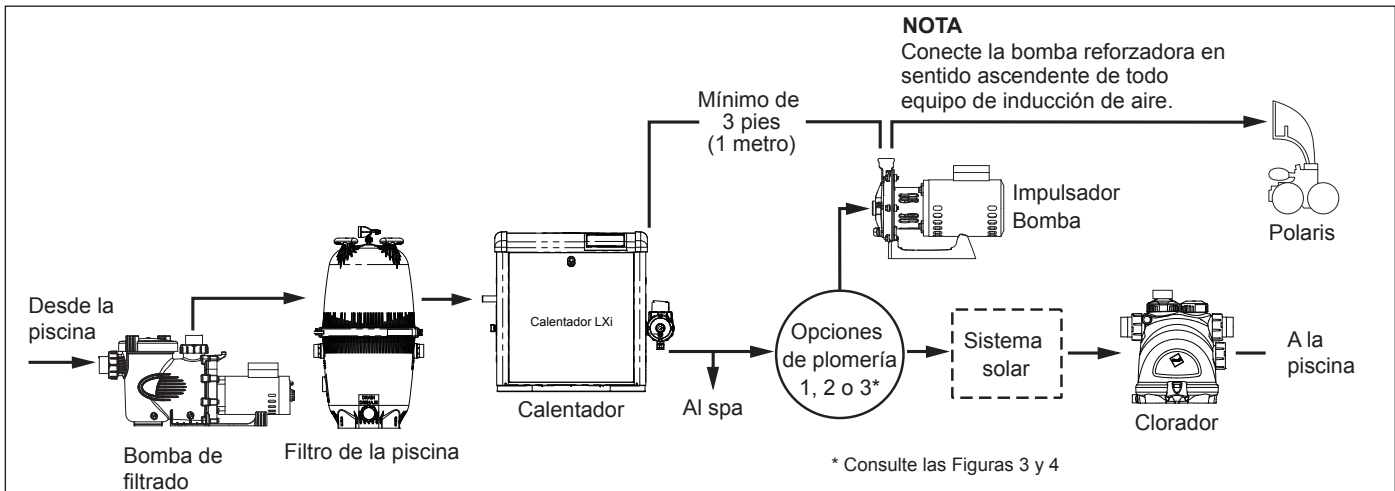


Figura 2. Disposición típica del equipo



4. Conecte la entrada de la bomba reforzadora en una ubicación más alta, en sentido ascendente y lo más lejos posible del clorador.

### 3.3.2 Dimensiones de la tubería

1. Se recomienda el uso de tubos de PVC rígidos que tengan un diámetro mínimo de 3/4 pulg., 1-1/2 pulg. para la línea de retorno dedicada. Los tubos de PVC flexibles no se recomiendan para la línea de retorno dedicada subterránea de la piscina, ya que pueden dañarse por la expansión y los movimientos causados por el aumento de presión de la bomba. Consulte las Figuras 3 y 4.
2. La línea de conexión de entrada de la bomba reforzadora debe ser de al menos 3/4 pulg. **La conexión Softubequick fue diseñada para funcionar con la manguera reforzada Polaris (pieza n.º P19) únicamente.**
3. No la conecte en la parte superior de una línea horizontal.
4. Utilice codos de 90° para minimizar las curvas y los bucles de la manguera reforzada Polaris.

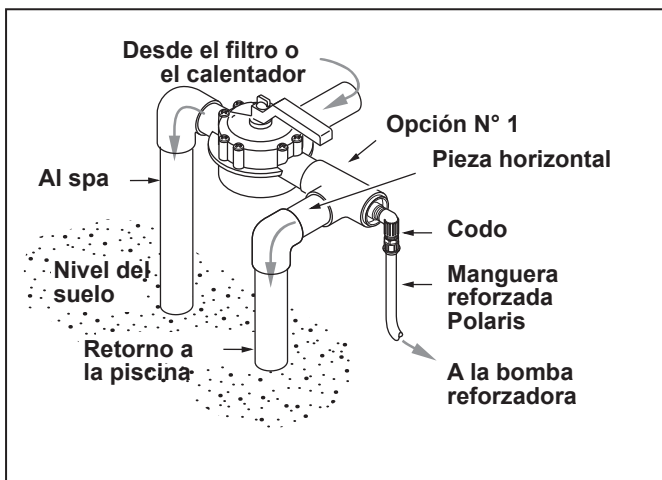


Figura 3. Configuración de plomería preferible

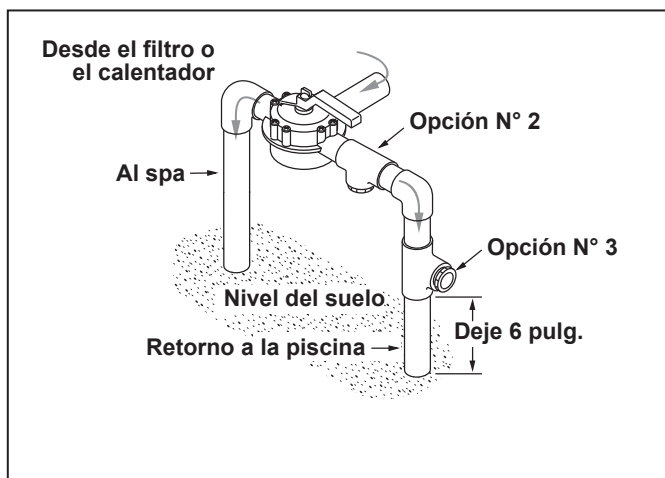


Figura 4. Configuración de plomería alternativa

### 3.3.3 Ubicación de la bomba

1. Zodiac Pool Systems, Inc. recomienda la instalación de la bomba a no más de 1 pie (30 cm) por encima del nivel del agua. La bomba no debe elevarse a más de un metro por encima del nivel del agua de la piscina.
2. Si la bomba se ubica por debajo del nivel del agua, deben instalarse válvulas de aislamiento tanto en la línea de succión como en la de retorno para evitar el refluo del agua de la piscina durante cualquier servicio de rutina o necesario.

## ⚠ ADVERTENCIA

Algunos sistemas de liberación de vacío de seguridad (SVRS) no son compatibles con la instalación de válvulas de antirretorno. Si la piscina tiene un dispositivo de SVRS, asegúrese de confirmar que seguirá operando de manera segura cuando se instalen las válvulas de antirretorno.

3. La bomba y los otros equipos de circulación deben estar ubicados a más de cinco (5) pies (1.5 metros) del agua. Elija un lugar que reduzca al mínimo las curvas en la tubería.
- NOTA** En Canadá, la bomba debe estar ubicada a un mínimo de 3 metros [aproximadamente 10 pies] del agua (CSA C22.1).
4. La bomba debe ser colocada sobre una base sólida que no vaya a vibrar. Para reducir aún más la posibilidad de ruido por vibración, fije con pernos la bomba a la base.
- NOTA** Zodiac recomienda utilizar pernos para fijar la bomba directamente a la base.
5. La base de la bomba debe tener un drenaje adecuado para evitar que el motor se moje. La bomba debe estar protegida de la lluvia y el sol.
  6. Es necesaria una ventilación adecuada para que la bomba funcione con normalidad. Todos los motores generan calor que debe ser retirado por mediante una ventilación adecuada.
  7. Proporcione acceso para poder realizar el servicio de mantenimiento o reparaciones, dejando un espacio suficiente alrededor de la bomba. Deje bastante espacio encima de la bomba para el servicio de mantenimiento y reparación.
  8. Si el equipo está cubierto, proporcione iluminación adecuada.

### 3.3.4 Instalación de la bomba

1. Instale la bomba utilizando dos (2) anclajes de expansión para hormigón con el objetivo de garantizar la estabilidad.
2. Deslice el anillo de retención de conexión rápida sobre las roscas de conexión rápida de Softube. Instale las conexiones rápidas en la descarga de la bomba y los puertos de suministro.
3. Mida y corte la manguera reforzada asegurándose de que el corte sea nítido, que no tenga una desviación mayor de 30° de un ángulo recto. Evite los bucles o las curvas innecesarios en la manguera.
4. Presione la manguera dentro de la conexión rápida hasta que quede a ras con la base de púas de la manguera. Véase Figura 5.
5. Sosteniendo la manguera en su lugar, jale y gire la funda de la conexión rápida sobre la manguera, lo más lejos posible. Encaje el broche de retención en su lugar. Véase Figura 6.

**NOTA** El broche de retención debe estar instalado. Si la funda no puede ubicarse sobre la conexión rápida para permitir que el broche de retención se deslice hasta su lugar, consulte la Figura 6. Humedezca la parte interior de la manguera con agua limpia y vuelva a intentarlo.

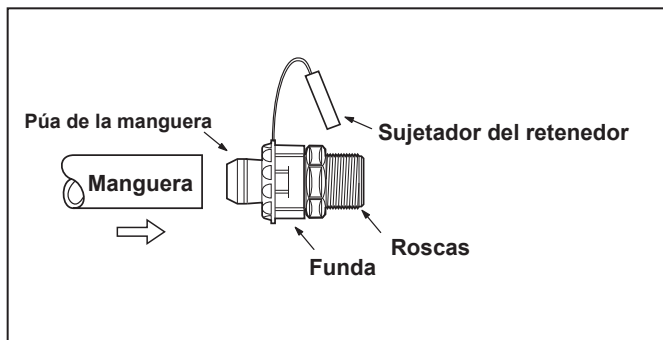


Figura 5. Instale la manguera en la desconexión rápida

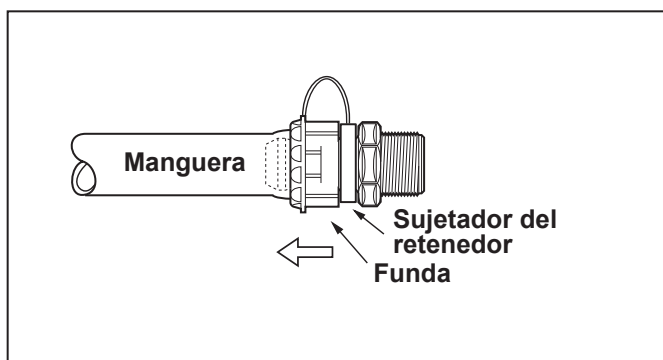


Figura 6. Instale el broche de retención

### 3.3.5 Recomendaciones de instalación

1. Si la bomba se ubica por debajo del nivel del agua, deben instalarse válvulas de aislamiento en ambos lados de la bomba para evitar el reflujo del agua de la piscina durante cualquier servicio de rutina o necesario.
2. Para ayudar a prevenir problemas en el cebado, se debe instalar la tubería de succión sin puntos elevados (por encima de la entrada de la bomba - "U" invertida en plomería) que puedan atrapar el aire.
3. La tubería debe estar bien apoyada y colocada en un lugar donde no quede expuesta a un estrés constante.
4. Siempre use válvulas del tamaño correcto. Las válvulas de desviación Zodiac® Jandy® y las válvulas de bola Zodiac Jandy típicamente tienen las mejores capacidades de flujo.
5. Use la menor cantidad de conexiones o accesorios posibles. Todo accesorio o conexión adicional tiene el efecto de alejar más el equipo del agua.

**NOTA** Si son necesarios más de 10 accesorios de succión, el tamaño de la tubería debe aumentarse.

### 3.3.6 Revisar el flujo de agua

**NOTE** Esta bomba debe tener una presión de salida mínima de 45 psi. Una presión menor puede causar una condición de sobrecorriente del motor.

Después de instalar la tubería del sistema, verifique el flujo de agua a la bomba reforzadora desconectando la línea de suministro de entrada en la bomba reforzadora y luego encendiendo la bomba de filtrado. El agua debería fluir desde la línea.

Si no hay flujo de agua, revise lo siguiente:

1. Verifique que la instalación sea correcta. Consulte la Figura 6.
2. Utilice accesorios de tipo globo ocular más pequeños en las líneas de retorno de la piscina o conecte una línea de retorno.

Una vez establecido el flujo, la bomba está lista para funcionar.

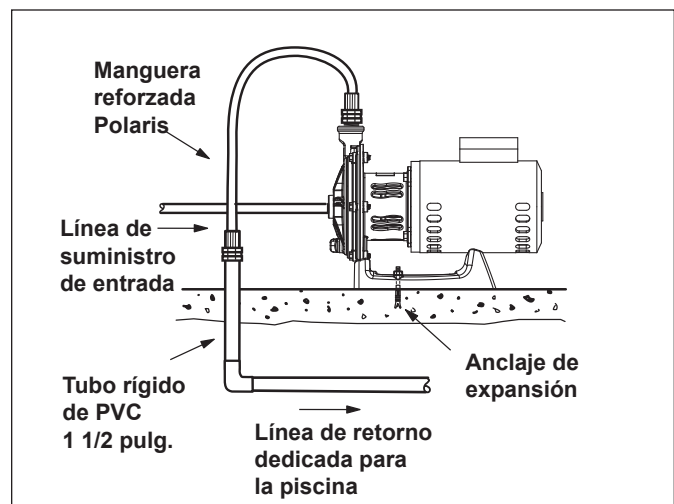


Figura 7. Complete la instalación

### 3.3.7 Realizar prueba de presión

#### ADVERTENCIA

Cuando se presuriza un sistema con agua para probarlo, a menudo queda aire atrapado en el sistema durante el proceso de llenado. Este aire se comprime cuando el sistema está bajo presión. En caso de fallo del sistema, el aire atrapado puede impulsar partículas a gran velocidad y causar lesiones. Se deben hacer todos los esfuerzos posibles para eliminar el aire atrapado durante el llenado de la bomba, incluida la apertura de la válvula de purga del filtro y el aflojamiento de la tapa de la canasta de la bomba.

#### ADVERTENCIA

El aire atrapado en el sistema puede hacer que salte la tapa del filtro, lo que puede causar lesiones graves e incluso la muerte o daño a la propiedad. Antes de operar la bomba, asegúrese de que todo el aire haya sido extraído correctamente del sistema. **NO USE AIRE COMPRIMIDO PARA HACER PRUEBAS DE PRESIÓN O COMPROBAR SI HAY FUGAS.**

#### ADVERTENCIA

Cuando se realice la prueba de presión del sistema con agua, es muy importante asegurarse de que la tapa de la canasta de la bomba de filtro esté completamente afianzada.

#### ADVERTENCIA

No pruebe con presiones mayores de 35 PSI. La prueba de presión debe ser realizada por un profesional de piscinas entrenado. Todo equipo de circulación que no se haya probado adecuadamente puede fallar, lo que podría provocar lesiones graves o daños materiales.

1. Llene el sistema con agua, teniendo cuidado de eliminar el aire atrapado.
2. Presurice el sistema con agua a no más de 35 PSI.
3. Cierre la válvula para atrapar agua presurizada en el sistema.
4. Observe el sistema para detectar fugas y/o caídas de presión.
5. Para obtener soporte técnico, llame al 800.822.7933.

## Sección 4. Operación

### 4.1 Puesta en marcha

#### PRECAUCIÓN

Nunca opere la bomba reforzadora sin agua. Hacer funcionar la bomba "en seco" por cualquier cantidad de tiempo puede causar graves daños a la bomba y al motor y anulará la garantía.

#### PRECAUCIÓN

Nunca opere la bomba reforzadora sin haber conectado el limpiador ya que esto causará daños al impulsor de la bomba y anulará la garantía.

Si se trata de una piscina nueva, asegúrese de que toda la tubería esté libre de residuos de construcción y que haya sido debidamente probada a presión. El filtro debe ser revisado para verificar su correcta instalación, comprobando que todas las conexiones y abrazaderas estén aseguradas de acuerdo a las recomendaciones del fabricante.

#### ADVERTENCIA

Para evitar el riesgo de daños a la propiedad o lesiones personales verifique que la alimentación eléctrica esté apagada antes de iniciar este procedimiento.

1. Encienda la bomba de filtrado.
2. Abra la liberación de presión del filtro para aliviar la presión del sistema hasta que salga agua.
3. Si la bomba de filtrado se encuentra por debajo del nivel del agua de la piscina, abrir la válvula de liberación de presión del filtro cebará la bomba con agua.
4. Una vez que haya salido todo el aire del filtro, cierre la válvula de liberación de presión.
5. Energice la bomba reforzadora. Luego encienda la bomba reforzadora.
6. La bomba reforzadora debería cebarse. El tiempo que toma el cebado dependerá de la altura y la longitud de la tubería utilizada en el suministro de succión. Consulte la *sección 3.3.6* para conocer la elevación correcta y el tamaño del tubo.
7. Si la bomba reforzadora no se ceba y todas las instrucciones se han seguido hasta este punto, revise si hay una fuga de succión.

## Sección 5. Mantenimiento

### 5.1 Preparación de la bomba para el invierno

#### PRECAUCIÓN

La bomba *debe* protegerse cuando se esperen temperaturas de congelación. Permitir que la bomba se congele causará daños graves y anulará la garantía.

#### PRECAUCIÓN

**¡No use soluciones anticongelantes en los sistemas de piscina, spa, o jacuzzi!** El anticongelante es altamente tóxico y puede dañar el sistema de circulación. La única excepción a esto es el propilenglicol. Para más información, consulte en su tienda proveedora de artículos de piscina/spa o póngase en contacto con una empresa calificada de servicios de piscina.

1. Drene toda el agua de la bomba, el equipo del sistema y las tuberías.
2. Retire el tapón de drenaje. Almacene el tapón de drenaje en un lugar seguro y reinstálelo cuando la temporada de frío haya terminado. No pierda la junta tórica. (Tapón de drenaje con juego de junta tórica, R0537000).
3. Mantenga el motor cubierto y seco.

**NOTA** Cubrir la bomba con un plástico hará que se genere condensación, y esta humedad dañará la bomba. La mejor forma de proteger su bomba es solicitar a un técnico o electricista de servicio calificado que desconecte correctamente el cableado eléctrico en la caja terminal. Una vez que se quita la electricidad, pueden aflojarse las dos (2) uniones y la bomba puede almacenarse bajo techo. Por razones de seguridad, y para evitar la entrada de contaminantes, reinstale todos los conductos y tapas de la caja de terminales.

4. Cuando el sistema se vuelva a abrir para usarse, asegúrese de que todas las tuberías, válvulas, cableado y el equipo estén de acuerdo con las recomendaciones del fabricante. Preste mucha atención a las conexiones eléctricas y el filtro.
5. La bomba debe ser cebada antes de su arranque; Véase *la Sección 4.1, Arranque*.

## Sección 6. Localización de averías y reparación

Zodiac le recomienda enfáticamente que llame a un técnico de servicio autorizado y calificado para realizar cualquier reparación en el sistema de filtro/bomba. Para ubicar una compañía de servicios independiente, consulte las páginas amarillas locales o visite: [www.zodiacpoolsystems.com](http://www.zodiacpoolsystems.com).

### 6.1 Diagnóstico y solución de problemas

Síntoma	Problema posible y solución
El sistema de limpieza/circulación no está funcionando correctamente.	<p>Verifique que las canastas de rebose, cesta de la bomba y otras pantallas estén limpias. Limpie de ser necesario.</p> <p>Revise el filtro y límpielo de ser necesario.</p> <p>Revise las posiciones de la válvula. Ajuste de ser necesario.</p> <p><b>NOTA</b> Múltiples equipos funcionando a la vez (por ejemplo, cascadas, chorros de hidromasaje y retornos superficiales) pueden afectar el funcionamiento correcto del sistema de limpieza.</p> <p>Revise el sistema de limpieza manualmente para asegurarse de que se ajusta a las recomendaciones del fabricante.</p>
Hay burbujas en la canasta de la bomba de filtrado.	<p>Hay aire en el sistema. Comprobar el nivel de agua de la piscina o spa para asegurarse de que esté en el nivel apropiado y no se esté introduciendo aire en la tubería de succión. Si el agua no se encuentra al nivel normal, apague la bomba. Retire la tapa y compruebe si hay residuos alrededor del asiento de la junta tórica o si el sello de la tapa está mal instalado, ya que cualquiera de esas condiciones permitirá que el aire penetre en el sistema. Limpie la junta tórica de la tapa y colóquela sobre la tapa. Apriete a mano la tapa para hacer un sello hermético. <b>No utilice ninguna herramienta para apretar la tapa.</b> Encienda la bomba de nuevo.</p>
Las fugas de aire están todavía presentes.	<p>Compruebe la unión del lado de succión de la tubería. Con la bomba en funcionamiento, trate de apretar la unión. Si esto no detiene la fuga de aire, apague la bomba. Afloje ambas uniones y deslice la bomba a un lado. Extraiga, limpie y vuelva a instalar las dos juntas tóricas de unión en la bomba de filtrado.</p> <p>Vuelva a colocar la bomba al lado de la tubería y asegure las tuercas de unión a la bomba. Con las juntas de unión limpias, el apretado manual será suficiente como para crear el sello. Si las uniones aún no sellan, apriete suavemente con un alicate extensible.</p> <p><b>No apriete demasiado.</b></p>
No hay aire en el sistema, pero la presión sigue siendo baja.	<p>Es posible que haya residuos atrapados en el impulsor de la bomba. El impulsor de la bomba mueve el agua y las paletas de la turbina pueden bloquearse con residuos. Véase la <i>Sección 6.2, Servicio de mantenimiento con técnico, 6.2.1, Impulsor bloqueado, para mayor información.</i></p>
No hay residuos en el impulsor y la presión aún es baja.	<p>El impulsor de la bomba muestra señales de desgaste normal. Permita que un técnico de servicio calificado revise el impulsor y lo reemplace si es necesario.</p> <p>Si la bomba es parte de una instalación relativamente nueva, podría ser un problema eléctrico. Contacte a un técnico calificado. Permita que el técnico verifique si hay conexiones eléctricas sueltas y que compruebe el voltaje en el motor con la bomba en funcionamiento. El voltaje debe estar dentro del 10% de los datos indicados en su placa de datos. Si el voltaje no está dentro del 10%, contáctese con un electricista calificado y/o el proveedor del servicio de electricidad local.</p> <p>El sello de la bomba tiene fugas de aire. Permita que un técnico de servicio calificado reemplace el sello.</p>
La bomba tiene una fuga de agua entre el motor y el cuerpo de la bomba.	<p>Esto es causado por un sello mecánico dañado. Sustituya el sello. Véase la <i>Sección 6.2, Servicio de mantenimiento con técnico, 6.2.4, Reemplazo del sello mecánico.</i></p>
La bomba se calienta y se apaga de forma periódica.	<p>Asegúrese de que haya suficiente espacio alrededor del motor para que el aire circule y mantenga fresco el motor. Permita que el técnico verifique si hay conexiones eléctricas sueltas y que compruebe el voltaje en el motor con la bomba en funcionamiento. El voltaje debe estar dentro del 10% de los datos indicados en su placa de datos. Si el voltaje no está dentro del 10%, contáctese con un electricista calificado y/o el proveedor del servicio de electricidad local.</p>

## 6.2 Servicio de mantenimiento con técnico

### ⚠ ADVERTENCIA

Esta bomba debe ser mantenida y reparada por un técnico profesional de servicio de mantenimiento, especializado en piscinas/spas. Los procedimientos indicados en este manual se deben seguir al pie de la letra. Una instalación y operación incorrectas puede crear riesgos eléctricos peligrosos, que pueden causar altas tensiones a través del sistema eléctrico y, a su vez, ocasionar daño a la propiedad, lesiones personales graves o incluso la muerte. La instalación y la operación incorrectas será causa de anulación de la garantía.

### 6.2.1 Impulsor bloqueado

### ⚠ ADVERTENCIA

Mientras se da servicio a la bomba, apague los disyuntores de la fuente de alimentación eléctrica. Graves lesiones personales o la muerte puede ocurrir si la bomba se arranca con la mano dentro de la bomba.

1. Apague la bomba. Apague el disyuntor del motor de la bomba.
2. Observe dentro de la bomba para ver si hay residuos. Retire los residuos encontrados adentro.
3. Encienda el disyuntor del motor de la bomba.
4. Encienda la bomba, y vea si el problema está resuelto.
5. Si el impulsor sigue bloqueado con residuos y no es posible eliminarlos, la bomba tendrá que ser desmontada para acceder a la entrada y la salida del impulsor.

### 6.2.2 Extracción del impulsor

### ⚠ ADVERTENCIA

Mientras se da servicio a la bomba, apague los disyuntores de la fuente de alimentación eléctrica. Graves lesiones personales o la muerte puede ocurrir si la bomba se arranca con la mano dentro de la bomba.

1. Apague la bomba. Apague el disyuntor del motor de la bomba. Si no va a sustituir el motor, no desconecte el cableado eléctrico.

**NOTA** Si va a sustituir el motor, Zodiac recomienda enfáticamente que un técnico de servicio calificado o un electricista desconecte correctamente el cableado eléctrico en el motor de la bomba.

2. Apague todas las válvulas para evitar que agua de la piscina de llegue a la bomba. Drene el agua de la bomba aflojando las uniones o la retirando los tapones de drenaje.

3. Utilizando una llave 9/16 pulg., afloje los pernos que conectan la voluta de la bomba a la placa de apoyo del motor. Consulte la Figura 8.

4. Jale la voluta desde la placa de apoyo. El impulsor está conectado al eje del motor.

**NOTA** En este momento, tendrá acceso a la entrada y la salida del impulsor para retirar cualquier residuo presente.

5. Retire la cubierta del eje del motor en la parte posterior del motor girando el tornillo hexagonal con una llave de medialuna de 90°. Véase Figura 8. El eje del motor quedará a la vista.

6. Sostenga el eje del motor con una llave de 1/2 pulg. mientras desatornilla el impulsor del eje del motor con la mano.

**NOTA** El impulsor tiene una rosca hacia la derecha, por tanto, gírelo en el sentido contrario a las agujas del reloj para desatornillarlo.

7. Inspeccione el impulsor en busca de señales de roce y/o daños.

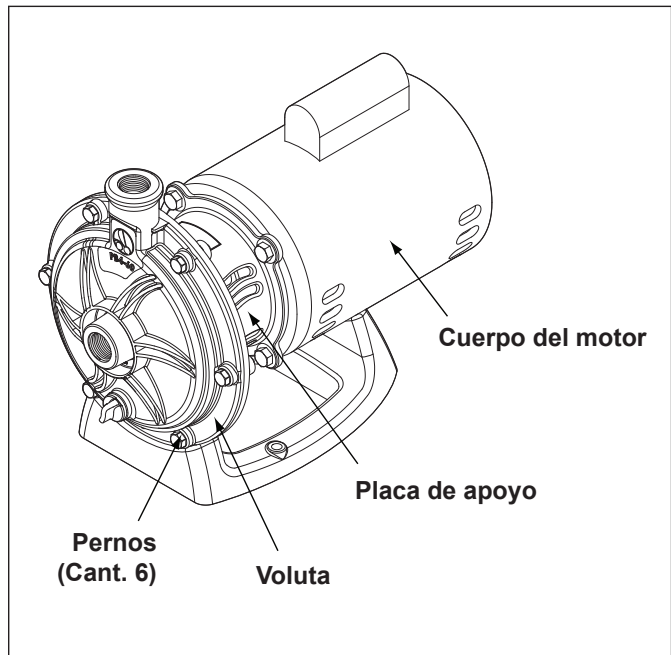
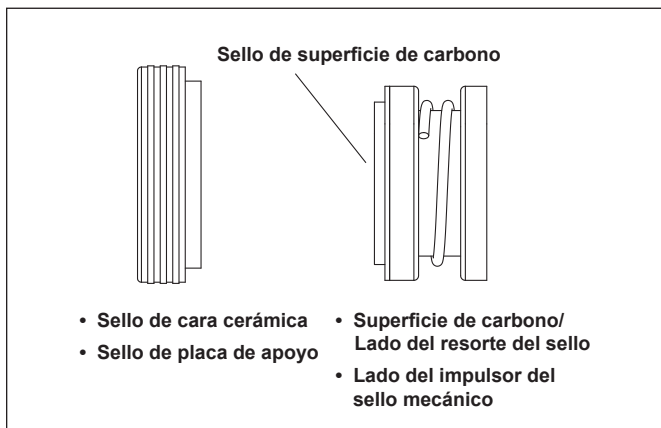


Figura 8. Retire la voluta de la bomba



**Figura 9. Reemplace el sello mecánico**

### 6.2.3 Reemplazo del impulsor

1. Presione la mitad del nuevo sello de superficie carbono (vea la Figura 9) en el eje del motor con un movimiento de torsión. Asegúrese de que la superficie de carbono quede mirando hacia el anillo de cerámica en la placa de apoyo.

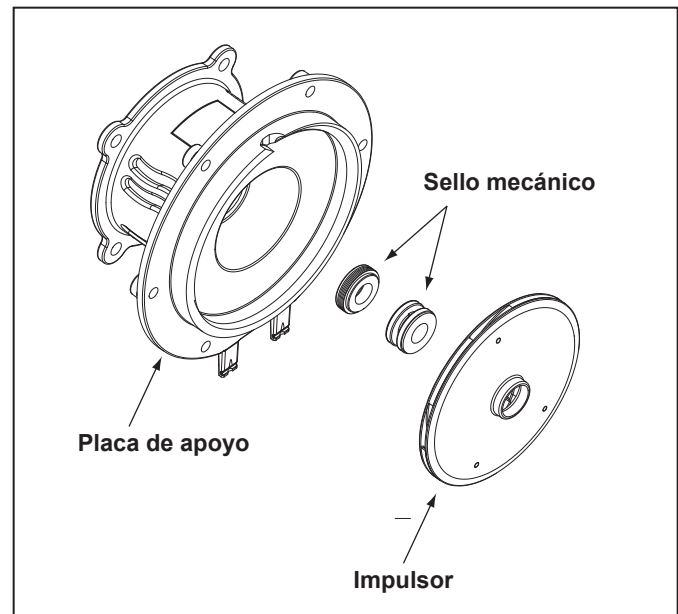
## PRECAUCIÓN

**¡Muy importante!** Para evitar daños en el sello al instalarlo, sujételo de su parte inferior (opuesta a la superficie de carbono).

**NOTA** Para ayudar en el montaje, sólo use agua o una solución con jabón como lubricante. **Cualquier otro lubricante destruirá el sello después de un período corto de tiempo.**

**NOTA** Tenga mucho cuidado de mantener limpios el sello y su superficie de contacto.

2. Mientras sostiene el eje del motor con una llave de 1/2 pulg., inserte el impulsor en el eje del motor. Apriete a mano el impulsor hasta que quede asegurado. **No apriete demasiado.**
3. Vuelva a colocar la cubierta del eje del motor insertando las lengüetas de la cubierta en las ranuras y rotando la cubierta 90° en sentido horario.
4. Instale y ajuste los tornillos levemente en un patrón de "X" cruzado, utilizando una llave de 9/16 pulg. y comenzando con los cuatro (4) interiores (del centro) para continuar con los cuatro (4) exteriores (arriba y abajo) para acercar la placa de apoyo al cuerpo uniformemente. Una vez que todos los tornillos estén ajustados, apriételos en el mismo orden con una llave de torque hasta 18 libras pie.
5. Abra la válvula de liberación de presión en el filtro y asegúrese de que esté limpia y lista para utilizarse.
6. Encienda el disyuntor del motor de la bomba.
7. Encienda la bomba y compruebe el sistema para asegurarse de que funciona con normalidad.
8. Una vez que el aire haya salido del filtro, cierre la válvula de liberación de presión.



**Figura 10. Ubicación de la placa de apoyo, el impulsor y el sello mecánico**

### 6.2.4 Reemplazo del sello mecánico

**NOTA** Éste es un proceso de reemplazo de dos (2) partes. **El sello mecánico debe ser reemplazado como un conjunto.**

**NOTA** Consulte la figura 10 para ver una ilustración de la ubicación del sello mecánico y el impulsor.

## ⚠ ADVERTENCIA

No dañe las superficies de cerámica o de carbono de los sellos. Si se dañan las superficies, habrá fugas.

1. Para acceder al sello mecánico, siga los pasos del 1 al 6 de la *Sección 6.2.2, Extracción del impulsor*.
2. Retire la mitad del sello de superficie de carbono del eje del motor. Consulte la Figura 9. Éste es un sello con resorte. Sujete la parte del sello más cercana al cuerpo del impulsor y quite el sello con un movimiento de torsión.
3. Retire el motor de la placa de apoyo siguiendo los pasos de la *Sección 6.2.5, Reemplazo del motor*.
4. Coloque la placa de apoyo con el lado de la junta tórica hacia abajo y saque el sello de cerámica hacia afuera utilizando un desatornillador o un punzón.
5. Gire la placa de apoyo con el lado de la junta tórica hacia arriba e inserte el nuevo sello de cerámica. Tenga mucho cuidado de no presionar el sello completamente con los dedos. La cerámica es muy delicada y se debe introducir usando sólo los dedos o herramientas blandas. No use ningún lubricante que no sea agua o una solución con jabón.
6. Instale el motor, siguiendo los pasos de la *Sección 6.2.5, Reemplazo del motor*.
7. Instale la placa de apoyo siguiendo los pasos de la *Sección 6.2.3, Reemplazo del impulsor*.

### 6.2.5 Reemplazo del motor

## PRECAUCIÓN

Para mantener la seguridad y una operación confiable, los sistemas de Zodiac Pool, Inc. requieren que se reemplace el motor con otro que tenga idéntica capacidad en HP y factor de servicio (solamente unidades aprobadas por Zodiac Pool Systems, Inc.).

## ADVERTENCIA

Para evitar el riesgo de daños a la propiedad, lesiones personales graves o la muerte, apague la bomba y apague el disyuntor conectado al motor de la bomba antes de iniciar este procedimiento.

1. Permita que un técnico de servicio calificado o un electricista desconecte correctamente el cableado eléctrico en el motor de la bomba.
2. Para desarmar la voluta de la bomba del motor, siga los pasos 1 a 6 de la *Sección 6.2.2, Extracción del impulsor*.
3. Retire los cuatro (4) tornillos de 9/16 pulg. y retire el motor.

**NOTA** Antes de retirar la placa de apoyo, observe la alineación de ésta con el motor. La etiqueta está ubicada hacia arriba. Véase Figura 11.

4. Al instalar un nuevo motor, retire la tapa protectora plástica del eje del motor. Coloque el motor sobre la placa de apoyo. La etiqueta debe estar ubicada hacia arriba. El capacitor de arranque del motor debe estar en la posición de las 12 en punto.
5. Sustituya los cuatro (4) tornillos y arandelas que sostienen la placa de apoyo del motor.

6. Para volver a ensamblar la bomba después de reemplazar el motor, siga los pasos del 1 al 9 de la *Sección 6.2.3, Reemplazo del impulsor*.
7. Permita que un técnico de servicio calificado o un electricista conecte correctamente los cables eléctricos en el motor de la bomba.

**NOTA** Zodiac Pool Systems, Inc. recomienda que los sellos mecánicos se sustituyan al mismo tiempo que se sustituye el motor. Véase la *Sección 6.2.4, Reemplazo del sello mecánico* para más detalles.

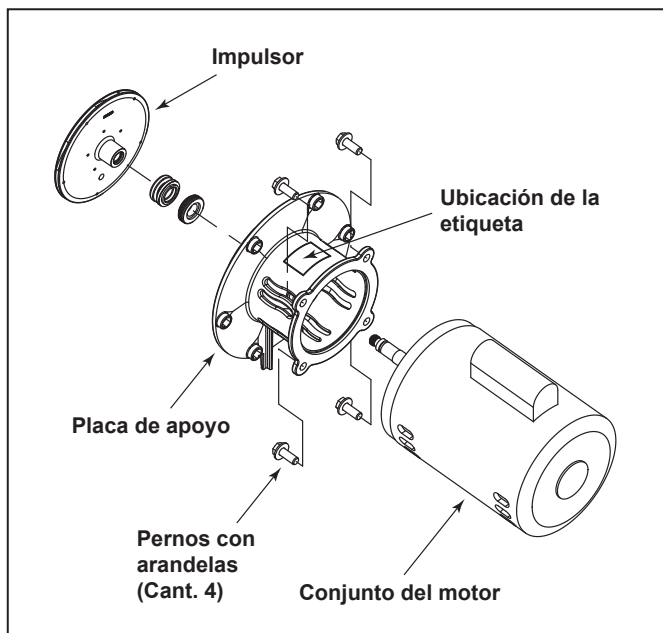


Figura 10. Retire la placa de apoyo



## Sección 7. Especificaciones del producto y datos técnicos

### 7.1 Lista de piezas de repuesto

Para ordenar o comprar piezas para las bombas Zodiac®, contacte su distribuidor Zodiac más cercano. Si no pueden suministrarle lo que necesita, comuníquese con el soporte técnico de Zodiac al 800.822.7933 o visite [www.zodiacpoolsystems.com](http://www.zodiacpoolsystems.com).

Clave N°	Descripción	Ctd	Para pedidos - N° de pieza
1	Motor, 3/4 caballos de fuerza, eje roscado, 60 Hz	1	P61
2	Junta tórica, placa de apoyo, PB4-60	1	R0536600
3	Sello, cerámica y resorte	1	R0445500
4	Impulsor, PB4-60	1	R0536400
5	Voluta, PB4-60 (Incluye tapón de drenaje con junta tórica)	1	R0536300
6	Pernos con arandelas y tuercas	6	R0536900
7	Tapón de drenaje con junta tórica, común	1	R0537000
8	Base, reforzador, PB4-60	1	R0537100
9	Pernos y arandelas, inoxidable, motor, PB4-60	4	R0536800
10	Kit de instalación, conexión rápida Softube®	1	P17
11	Manguera de la bomba, 6 pies, reforzada y flexible	1	P19
12	Conexión rápida Softube con retenedores	4	P133
13	Retenedor de conexión rápida de la bomba	4	P21
14	Placa de apoyo, PB4-60	1	R0536700

### 7.2 Plano de despiece de la bomba reforzadora Polaris PB4-60

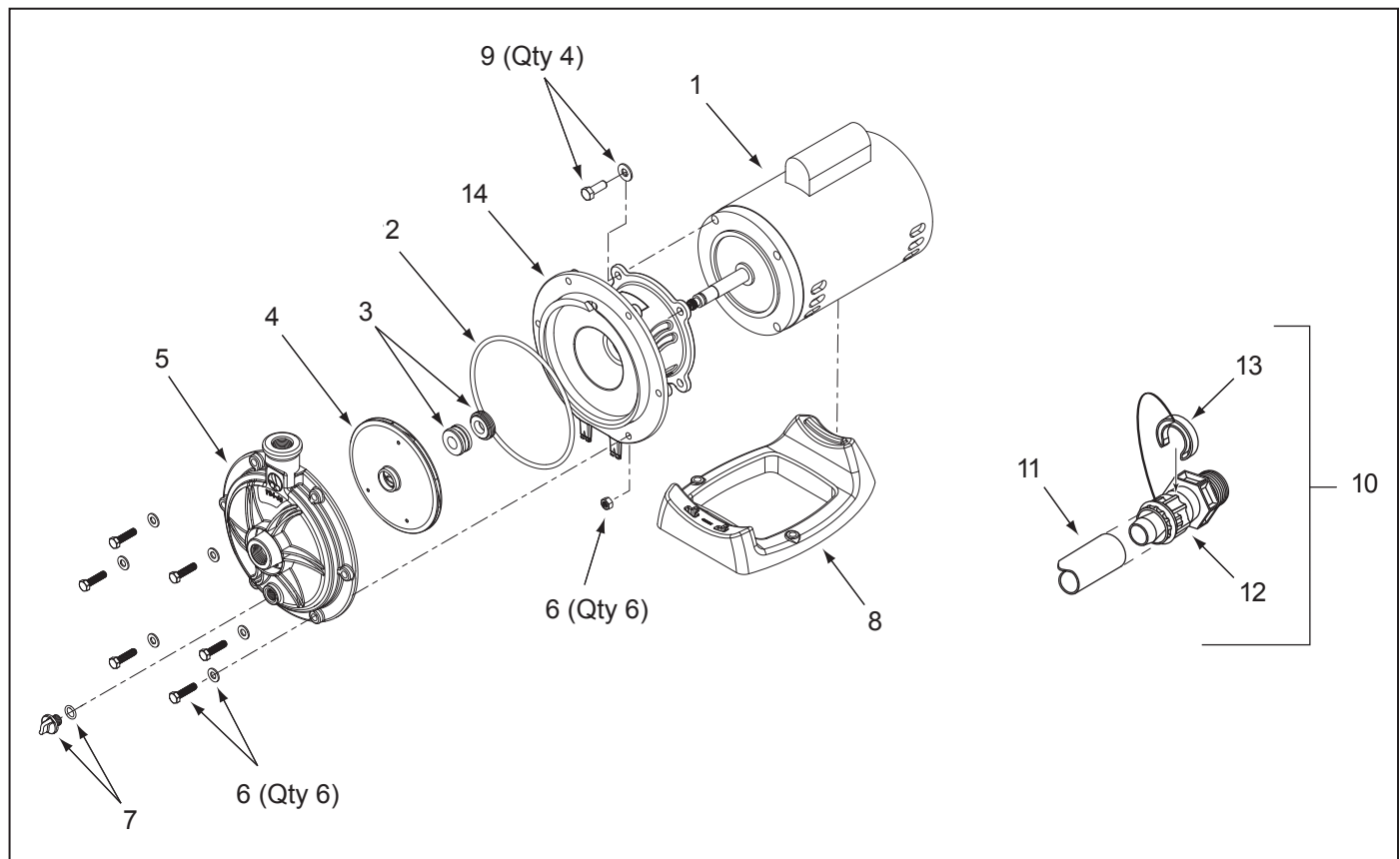


Figura 11. Plano de despiece de la bomba reforzadora Polaris PB4-60

### 7.3 Dimensiones de la bomba

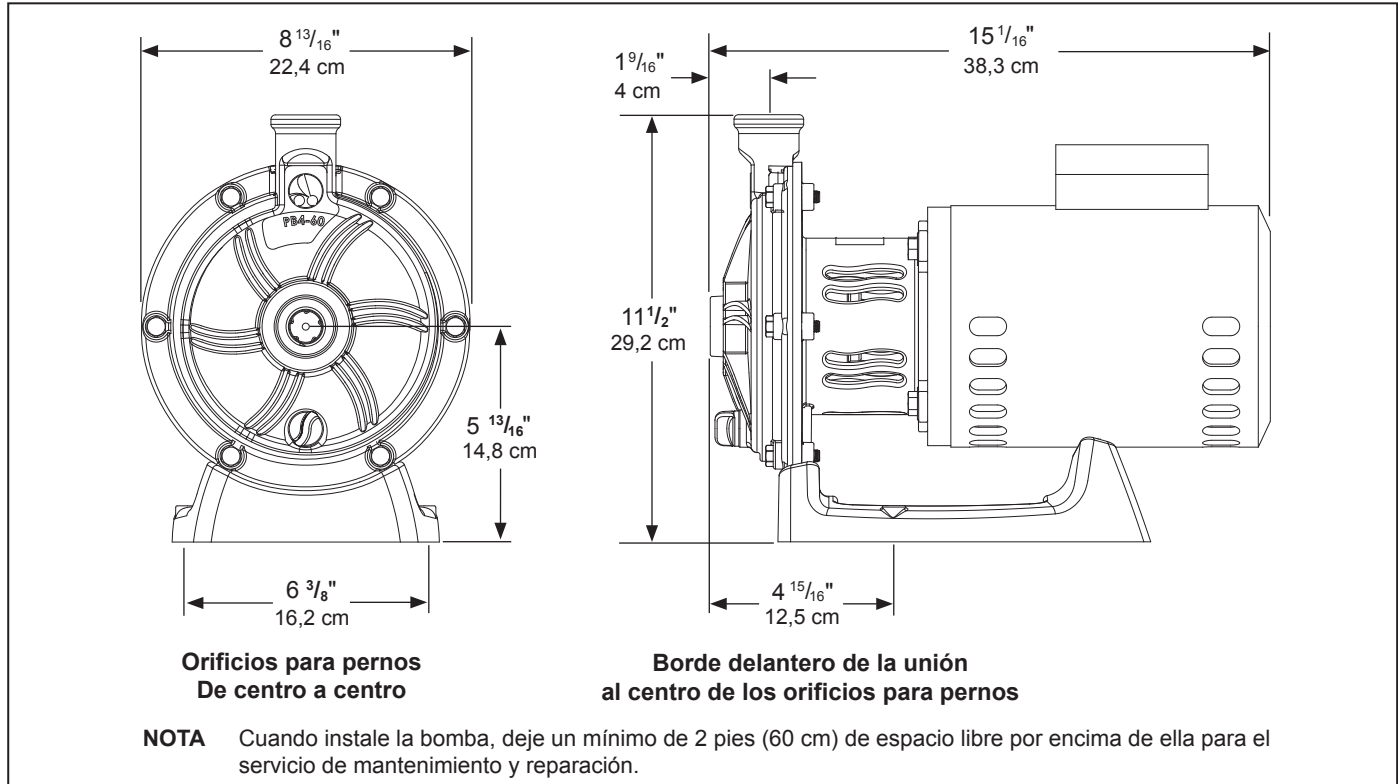


Figure 12. Dimensiones de la bomba Polaris reforzadora PB4-60

## 7.4 Identificación visual de la nueva bomba reforzadora Polaris PB4-60



Para bombas reforzadoras Polaris PN4-60 con números de serie que comienzan con “PB” y con fecha de fabricación a partir del 1º de diciembre de 2011.

Figura 13. Nueva bomba reforzadora Polaris PB4-60



Los modelos antiguos de las bombas reforzadoras PB4-60 quedarán descontinuados a partir del 30 de noviembre de 2011.

Figura 14. Modelo descontinuado de la bomba reforzadora PB4-60

**Zodiac Pool Systems Canada, Inc.**

2115 South Service Road West, Unit 3

Oakville, ON L6L 5w2

1.888.647.4004 | [www.ZodiacPoolSystems.ca](http://www.ZodiacPoolSystems.ca)

**Zodiac Pool Systems, Inc.**

2620 Commerce Way, Vista, CA 92081

1.800.822.7933 | [www.ZodiacPoolSystems.com](http://www.ZodiacPoolSystems.com)

*ZODIAC® es una marca registrada de Zodiac International, S.A.S.U., utilizada bajo licencia. Todas las marcas comerciales a las que se hace referencia en el presente, son propiedad de sus respectivos dueños.*

©2011 Zodiac Pool Systems, Inc. H0344400 Rev. A 1110

